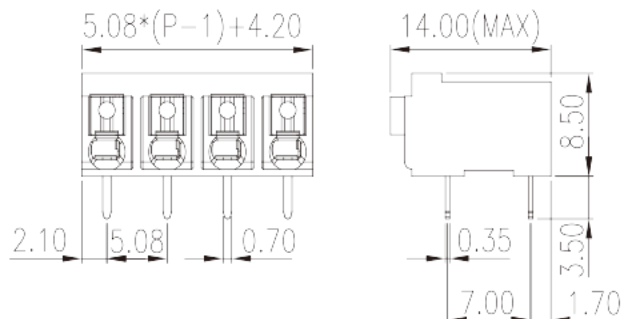
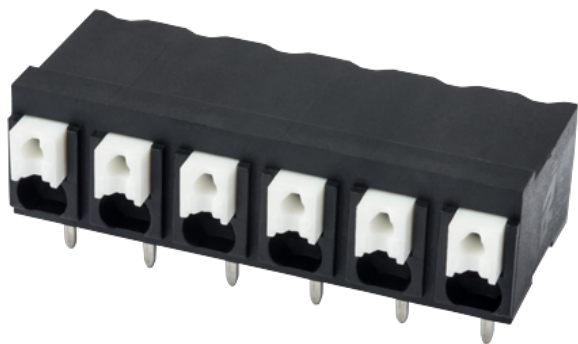


0138-61XX

PCB > PCB

:2026-07-04



Pitch : 5.08 mm, 300V, 12A

		PCB Terminal Blocks, Push-in Design
		PCB Terminal Blocks
(mm)		5.08
		Black (default)
		Push in Design
		Without
		Wave Soldering
(mm)		$5.08*(P-1)+4.2$
(mm)		14
(mm)		8.5
() x () (mm)		0.35x0.7
PCB (mm)		1.0~1.1
()		02P~16P
		Single level
		1
		PBT



	IIIa
UL 94	V0
	1000M at DC 500V
	COPPER ALLOY
	Tin PLATED

-IEC

(V)	320
(A)	17.5
(II/2)(V)	500
(III/2)(V)	320
(III/3)(V)	250
(II/2)(KV)	4
(III/2)(KV)	4
(III/3)(KV)	4
(mm ²)	0.14
(mm ²)	1.5
(mm ²)	0.14
(mm ²)	1.5
(mm ²) , ,	0.25
(mm ²) , ,	1.5
(mm ²) , ,	0.25
(mm ²) , ,	1.5
Width)(mm) (Blade thickness x	0.4x2.5
	8~9

-UL

(UL/CUL Group B)(V)	300
(UL/CUL Group B)(A)	12
(UL/CUL Group D)(V)	300
(UL/CUL Group D)(A)	12
UL/CUL AWG	28



UL/CUL	AWG	14
UL/CUL	AWG	28
UL/CUL	AWG	14

&

가	(YES or NO)	YES
		120
		-40

UL

(Group B)(AWG)		28~14
(Group B)(V)		300
(Group B)(A)		12
(Group D)(AWG)		28~14
(Group D)(V)		300
(Group D)(A)		12

CUL

(Group B)(AWG)		28~14
(Group B)(V)		300
(Group B)(A)		12
(Group D)(AWG)		28~14
(Group D)(V)		300
(Group D)(A)		12

--	--	--

