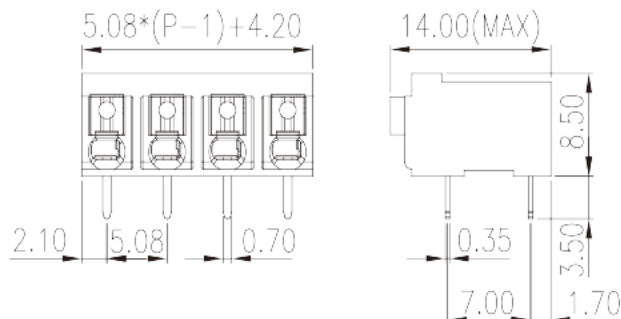


0138-61XXL

PCB > PCB

:2026-07-04



Pitch : 5.08 mm, 300V, 12A

PCB Terminal Blocks, Push-in Design	
PCB Terminal Blocks	
(mm)	5.08
	Black (default)
	Push in Design
	Without
	Reflow Soldering (Temperature condition according to standard IPC/JEDEC J-STD-020E)
(mm)	$5.08 * (P - 1) + 4.2$
(mm)	14
(mm)	8.5
(x) (mm)	0.35x0.7
PCB (mm)	1.0~1.1
()	02P~24P
	Single level
	1

	HIGH-TEMPERATURE PLASTICS
	IIIa
UL 94	V0
	500M at DC 500V
	COPPER ALLOY
	Tin PLATED
MSL	1

-IEC

(V)	320
(A)	17.5
(II/2)(V)	500
(III/2)(V)	320
(III/3)(V)	250
(II/2)(KV)	4
(III/2)(KV)	4
(III/3)(KV)	4
(mm ²)	0.14
(mm ²)	1.5
(mm ²)	0.14
(mm ²)	1.5
(mm ²) , ,	0.25
(mm ²) , ,	1.5
(mm ²) , ,	0.25
(mm ²) , ,	1.5
Width)(mm) (Blade thickness x	0.4x2.5
	8~9

-UL

(UL/CUL Group B)(V)	300
(UL/CUL Group B)(A)	12
(UL/CUL Group D)(V)	300



(UL/CUL Group D)(A)		12
UL/CUL	AWG	28
UL/CUL	AWG	14
UL/CUL	AWG	28
UL/CUL	AWG	14

&

가	(YES or NO)	YES
		120
		-40

UL

(Group B)(AWG)		28~14
(Group B)(V)		300
(Group B)(A)		12
(Group D)(AWG)		28~14
(Group D)(V)		300
(Group D)(A)		12

CUL

(Group B)(AWG)		28~14
(Group B)(V)		300
(Group B)(A)		12
(Group D)(AWG)		28~14
(Group D)(V)		300
(Group D)(A)		12

--	--	--

