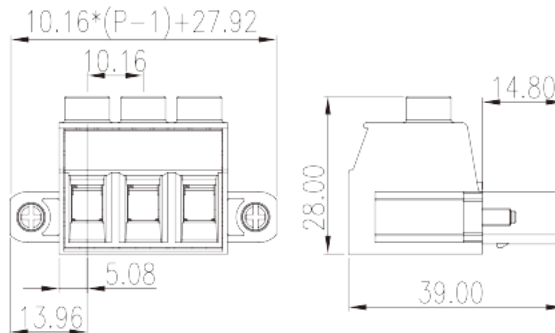
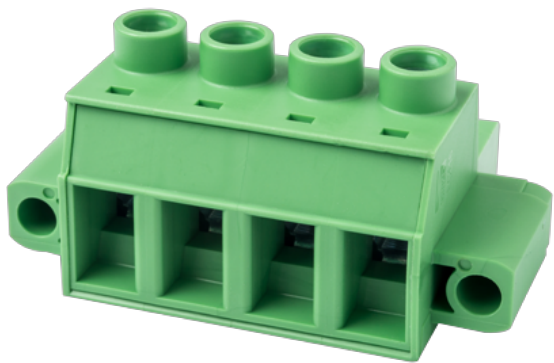


EC116VM-XXP

PCB > PCB -

:2026-07-06



Pitch: 10.16 mm, 600V, 51A

	PCB Connector – Plug, Screw Connection
	PCB Connector – Plug
(mm)	10.16
	Green (default)
	Screw connection
	With screw flange
(mm)	$10.16 * (P - 1) + 27.92$
(mm)	39
(mm)	28
()	02P~08P
	Single level
	PA
	I
UL 94	V0
	500M at DC 500V
	COPPER ALLOY

	Ag PLATED
-IEC	
(V)	1000
(A)	76
(II/2)(V)	1000
(III/2)(V)	1000
(III/3)(V)	1000
(II/2)(KV)	6
(III/2)(KV)	8
(III/3)(KV)	8
(mm ²)	0.5
(mm ²)	16
(mm ²)	0.5
(mm ²)	16
(mm ²) , ,	0.5
(mm ²) , ,	16
(mm ²) , ,	0.5
(mm ²) , ,	10
2 (mm ²)	0.5
2 (mm ²)	6
2 (mm ²)	0.5
2 (mm ²)	6
(mm ²) ² , ,	0.5
(mm ²) ² , ,	4
2 (mm ²) , ,	0.5
2 (mm ²) , ,	4
Philips	1.0*5.5
(N.m)	1.8
(N.m)	0.5

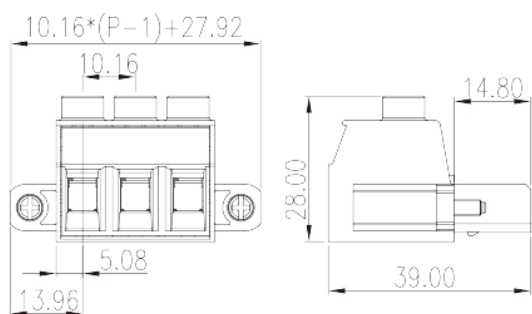
14~15

-UL

(UL/CUL Group B)(V)		600
(UL/CUL Group B)(A)		51
(UL/CUL Group C)(V)		600
(UL/CUL Group C)(A)		51
(UL/CUL Group D)(V)		600
(UL/CUL Group D)(A)		5
UL/CUL	AWG	16
UL/CUL	AWG	6

&

가	(YES or NO)	YES
		120
		-40





Delight Through Connections