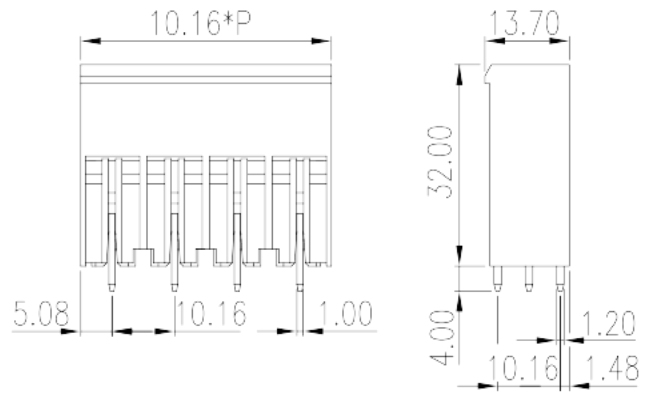


ECH116V-XXP

PCB > PCB -

:2026-07-05



Pitch : 10.16 mm, 600V, 51A

	PCB Connector – Socket, Wave soldering
	PCB Connector – Socket
(mm)	10.16
	Green (default)
	Without
	Wave Soldering
(mm)	10.16*(P-1) + 10.16
(mm)	13.7
(mm)	32
(x) (mm)	1.0x1.2
PCB (mm)	1.75~1.85
()	02~10P
	Single level
	1
	PA
	I



UL 94	V0
	500M at DC 500V
	COPPER ALLOY
	Ag PLATED

-IEC

(V)	1000
(A)	76
(II/2)(V)	1000
(III/2)(V)	1000
(III/3)(V)	1000
(II/2)(KV)	8
(III/2)(KV)	8
(III/3)(KV)	8

-UL

(UL/CUL Group B)(V)	300
(UL/CUL Group B)(A)	51
(UL/CUL Group C)(V)	300
(UL/CUL Group C)(A)	51
(UL/CUL Group D)(V)	600
(UL/CUL Group D)(A)	5

&

가 (YES or NO)	YES
	120
	-40

--	--

