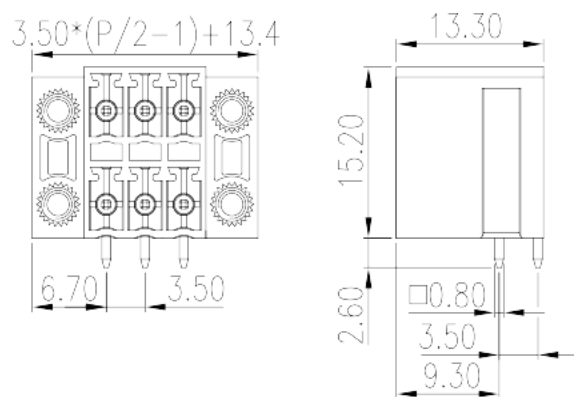
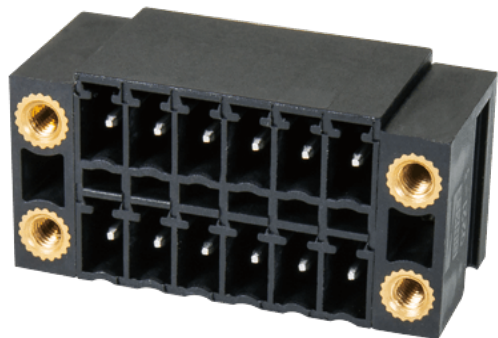


0221-35XXL

PCB > PCB -

:2026-07-04



Pitch : 3.50 mm, 300V, 8A

	PCB Connector – Socket, Reflow soldering
	PCB Connector – Socket
(mm)	3.50
	Black (default)
	With screw flange
	Reflow Soldering (Temperature condition according to standard IPC/JEDEC J-STD-020E)
(mm)	$3.50 \times (P/2 - 1) + 13.4$
(mm)	13.3
(mm)	15.2
(x) (mm)	0.8x0.8
PCB (mm)	1.3~1.4
()	04P~48P
	Double level
	HIGH-TEMPERATURE PLASTICS
	I



UL 94	V0
	500M at DC 500V
	COPPER ALLOY
	Tin PLATED
MSL	2

-IEC

(V)	320
(A)	8
(II/2)(V)	320
(III/2)(V)	200
(III/3)(V)	200
(II/2)(KV)	2.5
(III/2)(KV)	2.5
(III/3)(KV)	2.5
(N.m)	0.3

-UL

(UL/CUL Group B)(V)	300
(UL/CUL Group B)(A)	8

&

(YES or NO)	YES
가 (YES or NO)	YES
	120
	-40

UL

(Group B)(V)	300
(Group B)(A)	8

CUL

(Group B)(V)	300
(Group B)(A)	8

