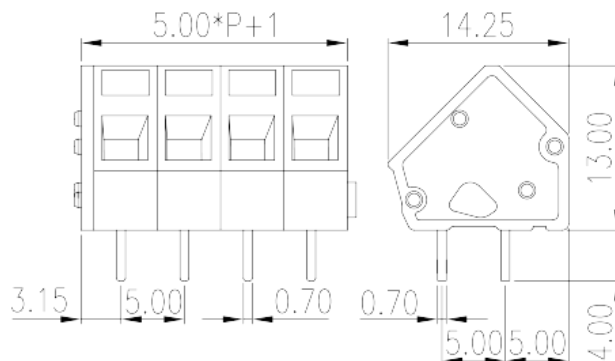
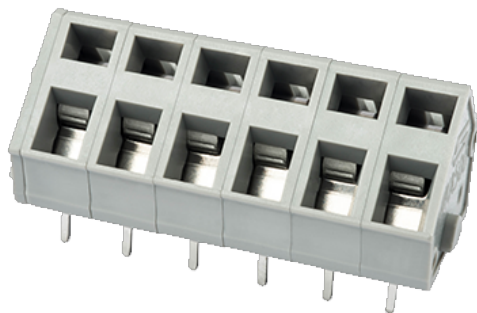


WKA500-XXP

PCB > PCB

:2026-05-14 :V1



Pitch : 5.00mm, 300V, 15A

	PCB Terminal Blocks, Spring Clamp Connection
	PCB Terminal Blocks
(mm)	5.00
	Grey (default)
	Spring Clamp Connection
	Without
(mm)	$5.00 \times (P-1) + 7.2$
(mm)	14.25
(mm)	13
(x) (mm)	0.7x0.7
PCB (mm)	1.1~1.2
()	01P~31P
	Single level
	PA
	I
UL 94	V0



	500M at DC 500V
	COPPER ALLOY
	Tin PLATED

-IEC

(V)	450
(A)	24
(II/2)(V)	630
(III/2)(V)	450
(III/3)(V)	320
(II/2)(KV)	4
(III/2)(KV)	4
(III/3)(KV)	4
(mm ²)	0.2
(mm ²)	2.5
(mm ²)	0.2
(mm ²)	2.5
(mm ²) , ,	0.25
(mm ²) , ,	1.5
(mm ²) , ,	0.25
(mm ²) , ,	1.5
² (mm ²) , ,	0.5
² (mm ²) , ,	1
Width)(mm) (Blade thickness x	0.6x3.5
	5~6

-UL

(UL/CUL Group B)(V)	300
(UL/CUL Group B)(A)	15
(UL/CUL Group C)(V)	150
(UL/CUL Group C)(A)	15



(UL/CUL Group D)(V)		300
(UL/CUL Group D)(A)		10
UL/CUL	AWG	28
UL/CUL	AWG	12
UL/CUL	AWG	28
UL/CUL	AWG	12

&

가	(YES or NO)	YES
		120
		-40

UL

(Group B)(AWG)		28~12
(Group B)(V)		300
(Group B)(A)		15
(Group C)(AWG)		28~12
(Group C)(V)		150
(Group C)(A)		15
(Group D)(AWG)		28~12
(Group D)(V)		300
(Group D)(A)		10

CUL

(Group B)(AWG)		28~12
(Group B)(V)		300
(Group B)(A)		15
(Group C)(AWG)		28~12
(Group C)(V)		150
(Group C)(A)		15
(Group D)(AWG)		28~12
(Group D)(V)		300
(Group D)(A)		10

VDE

--	--	--

(mm ²)	0.5~2.5
(V)	450
(A)	24

