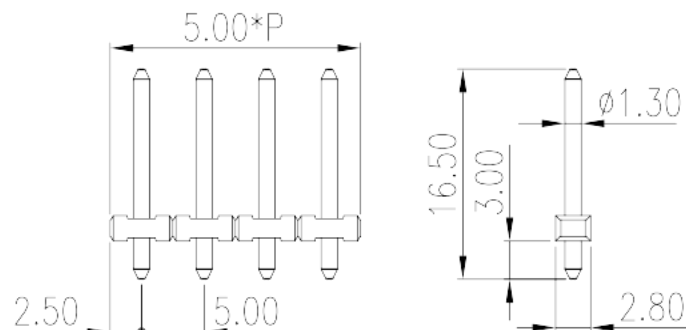


# 0191-12XTH

PCB > PCB -

:2026-07-05



Pitch : 5.00mm, 300V, 5A

	PCB Connector
	PCB Connector – Socket
(mm)	5.00
	Black (default)
	Without
	Reflow Soldering (Temperature condition according to standard IPC/JEDEC J-STD-020E)
(mm)	5.00*P
(mm)	2.8
(mm)	16.5
(   x   ) (mm)	1.3
PCB (mm)	1.6
(   )	02P~20P
	Single level
	HIGH-TEMPERATURE PLASTICS
	IIIa



UL 94	V0
	500M at DC 500V
	COPPER ALLOY
	Tin PLATED
MSL	4

**-IEC**

(V)	320
(A)	4
(II/2)(V)	630
(III/2)(V)	320
(III/3)(V)	250
(II/2)(KV)	4
(III/2)(KV)	4
(III/3)(KV)	4

**-UL**

(UL/CUL Group B)(V)	300
(UL/CUL Group B)(A)	5
(UL/CUL Group D)(V)	300
(UL/CUL Group D)(A)	5

**&**

	120
	-40

**UL**

(Group B)(V)	300
(Group B)(A)	5
(Group D)(V)	300
(Group D)(A)	5

**CUL**

(Group B)(V)	300
(Group B)(A)	5

(Group D)(V)	300
(Group D)(A)	5

