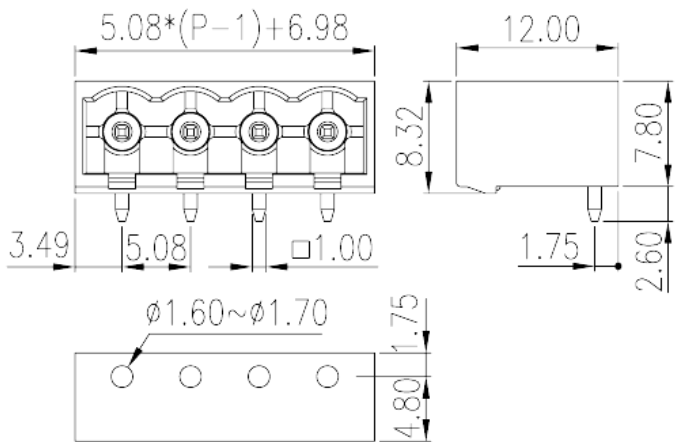
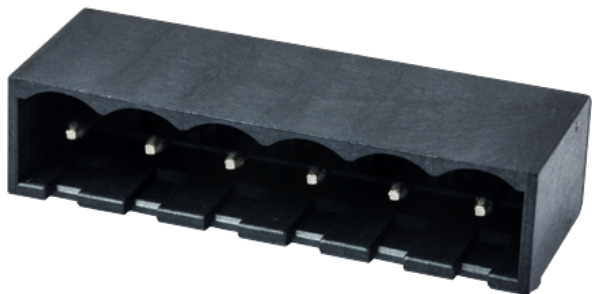


2EHDRRC-XXPL

PCB > PCB -

:2025-09-15



Pitch : 5.08mm, 300V, 15A

	PCB Connector – Socket, Reflow soldering
	PCB Connector – Socket
(mm)	5.08
	Black (default)
	Without
	Reflow Soldering (Temperature condition according to standard IPC/JEDEC J-STD-020E)
(mm)	$5.08 \times (P-1) + 6.98$
(mm)	12
(mm)	8.32
(x) (mm)	1.0x1.0
PCB (mm)	1.60~1.70
()	02P~24P
	Single level
	1
	HIGH-TEMPERATURE PLASTICS



	IIIa
UL 94	V0
	500M at DC 500V
	COPPER ALLOY
	Tin PLATED
MSL	1

-IEC

(V)	400
(A)	18
(II/2)(V)	400
(III/2)(V)	320
(III/3)(V)	250
(II/2)(KV)	4
(III/2)(KV)	4
(III/3)(KV)	4

-UL

(UL/CUL Group B)(V)	300
(UL/CUL Group B)(A)	15
(UL/CUL Group D)(V)	300
(UL/CUL Group D)(A)	10

&

(YES or NO)	YES
가 (YES or NO)	YES
	120
	-40

UL

(Group B)(V)	300
(Group B)(A)	15
(Group D)(V)	300
(Group D)(A)	10

CUL

(Group B)(V)	300
(Group B)(A)	15
(Group D)(V)	300
(Group D)(A)	10

VDE

(V)	630
(A)	18

