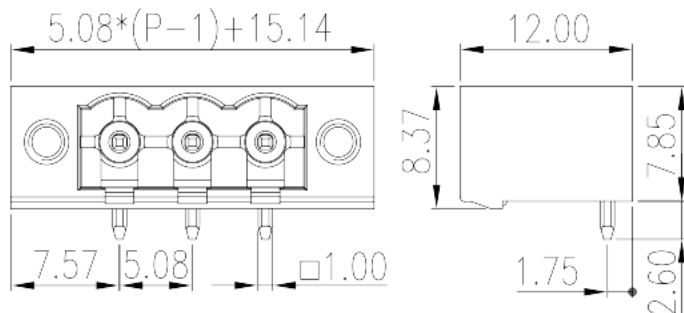


2EHDRRM-XXPL

PCB > PCB -

:2026-07-04



Pitch : 5.08mm, 300V, 15A

	PCB Connector – Socket, Reflow soldering
	PCB Connector – Socket
(mm)	5.08
	Black (default)
	With threaded flange
	Reflow Soldering (Temperature condition according to standard IPC/JEDEC J-STD-020E)
(mm)	$5.08 * (P - 1) + 15.14$
(mm)	12
(mm)	8.37
(x) (mm)	1.0x1.0
PCB (mm)	1.60~1.70
()	02P~24P
	Single level
	1
	HIGH-TEMPERATURE PLASTICS



	IIIa
UL 94	V0
	500M at DC 500V
	COPPER ALLOY
	Tin PLATED
MSL	1

-IEC

(V)	630
(A)	18
(II/2)(V)	400
(III/2)(V)	320
(III/3)(V)	250
(II/2)(KV)	4
(III/2)(KV)	4
(III/3)(KV)	4

-UL

(UL/CUL Group B)(V)	300
(UL/CUL Group B)(A)	15
(UL/CUL Group D)(V)	300
(UL/CUL Group D)(A)	10

&

(YES or NO)	YES
가 (YES or NO)	YES
	120
	-40

UL

(Group B)(V)	300
(Group B)(A)	15
(Group D)(V)	300
(Group D)(A)	10

CUL

(Group B) (V)	300
(Group B) (A)	15
(Group D) (V)	300
(Group D) (A)	10

VDE

(V)	630
(A)	18

