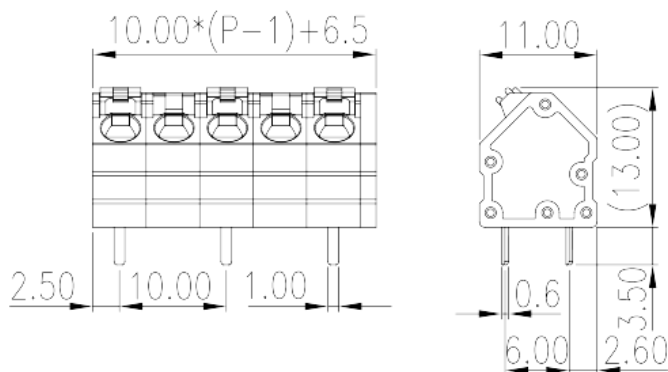


0152-41XX

PCB > PCB

:2026-07-05



Pitch : 10.00 mm, 300V, 10A

		PCB Terminal Blocks, Push-in Design
		PCB Terminal Blocks
(mm)		10.00
		Black (default)
		Push in Design
		Without
		Wave Soldering
(mm)		$10.00 * (P-1) + 6.5$
(mm)		11
(mm)		13
() x () (mm)		0.6x1.0
PCB (mm)		1.3
()		02P~12P
		Single level
		PA
		I



UL 94	V0
	500M at DC 500V
	COPPER ALLOY
	Tin PLATED

-IEC

(V)	1000
(A)	17.5
(II/2)(V)	1000
(III/2)(V)	1000
(III/3)(V)	800
(II/2)(KV)	8
(III/2)(KV)	8
(III/3)(KV)	8
(mm ²)	0.2
(mm ²)	1.5
(mm ²)	0.2
(mm ²)	1.5
(mm ²) , ,	0.25
(mm ²) , ,	1
(mm ²) , ,	0.25
(mm ²) , ,	1
² (mm ²) , ,	0.5
² (mm ²) , ,	0.5
Width)(mm) (Blade thickness x	0.6x3.5
	8~9

-UL

(UL/CUL Group B)(V)	300
(UL/CUL Group B)(A)	10
(UL/CUL Group C)(V)	300



(UL/CUL Group C)(A)		10
(UL/CUL Group D)(V)		300
(UL/CUL Group D)(A)		10
UL/CUL	AWG	28
UL/CUL	AWG	16
UL/CUL	AWG	28
UL/CUL	AWG	16

&

가	(YES or NO)	YES
		120
		-40

UL

(Group B)(AWG)		28~16
(Group B)(V)		300
(Group B)(A)		10
(Group C)(AWG)		28~16
(Group C)(V)		300
(Group C)(A)		10
(Group D)(AWG)		28~16
(Group D)(V)		300
(Group D)(A)		10

CUL

(Group B)(AWG)		28~16
(Group B)(V)		300
(Group B)(A)		10
(Group C)(AWG)		28~16
(Group C)(V)		300
(Group C)(A)		10
(Group D)(AWG)		28~16
(Group D)(V)		300
(Group D)(A)		10

VDE

(mm ²)	0.2~1.5
(V)	1000
(A)	17.5

