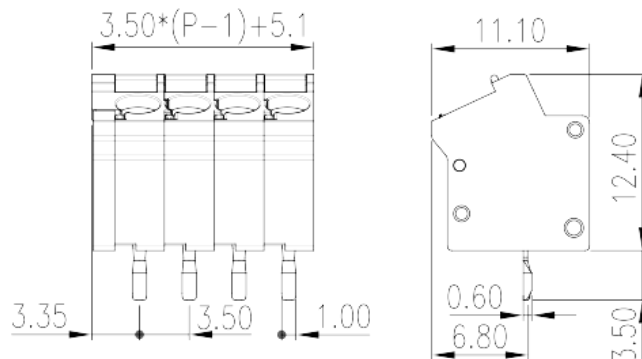


0185-12XX

PCB > PCB

:2026-07-05



Pitch : 3.50mm, 300V, 10A

PCB Terminal Blocks, Push-in Design	
PCB Terminal Blocks	
(mm)	3.50
	Black (default)
	Push in Design
	Without
	Wave Soldering
(mm)	$3.50 * (P - 1) + 5.1$
(mm)	11.1
(mm)	12.4
(x) (mm)	0.6x1
PCB (mm)	1.2
()	02P~24P
	Single level
	PA
	I

UL 94	V0
	500M at DC 500V
	COPPER ALLOY
	Tin PLATED

-IEC

(V)	200
(A)	14
(II/2)(V)	400
(III/2)(V)	200
(III/3)(V)	160
(II/2)(KV)	2.5
(III/2)(KV)	2.5
(III/3)(KV)	2.5
(mm ²)	0.2
(mm ²)	1.5
(mm ²)	0.2
(mm ²)	1.5
(mm ²)	0.25
(mm ²)	1
(mm ²)	0.25
(mm ²)	0.75
Width)(mm) (Blade thickness x	0.4x2.5
	8~9

-UL

(UL/CUL Group B)(V)	300
(UL/CUL Group B)(A)	10
(UL/CUL Group D)(V)	300
(UL/CUL Group D)(A)	10
UL/CUL AWG	26
UL/CUL AWG	16

UL/CUL	AWG	26
UL/CUL	AWG	16

&

가	(YES or NO)	YES
		120
		-40

