

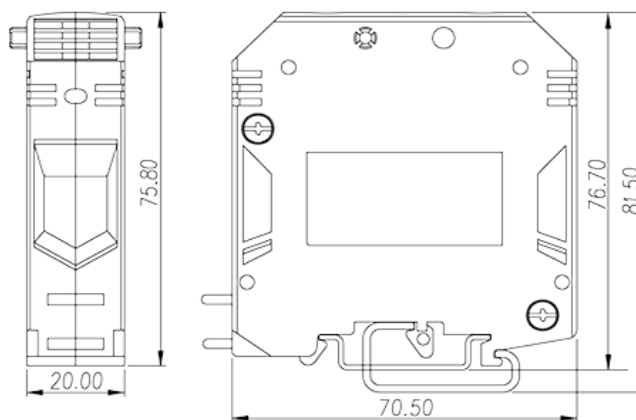
# DK50

DIN

>

:2026-07-04

:1.2



M6, 600V, 150A, Beige (default)

	DIN rail terminal blocks, Feed through terminal blocks
	Feed through terminal blocks
	Beige (default)
	Screw connection
	Rail mounting
(mm)	70.5
(mm)	20
(mm)	75.8
( )	1P
	Single level
	2
	PA
	I
UL 94	V0
	500M at DC 500V

## -IEC

(V)		1000
(A)		150
(III/3)(V)		1000
(II/2)(KV)		8
(III/2)(KV)		8
(III/3)(KV)		8
(mm <sup>2</sup> )		16
(mm <sup>2</sup> )		50
(mm <sup>2</sup> )		16
(mm <sup>2</sup> )		50
(mm <sup>2</sup> )	,	16
(mm <sup>2</sup> )	,	50
(mm <sup>2</sup> )	,	16
(mm <sup>2</sup> )	,	50
2	(mm <sup>2</sup> )	16
2	(mm <sup>2</sup> )	16
2	(mm <sup>2</sup> )	16
2	(mm <sup>2</sup> )	16
(mm <sup>2</sup> ) 2	,	16
(mm <sup>2</sup> ) 2	,	16
2	(mm <sup>2</sup> )	16
2	(mm <sup>2</sup> )	16
		M6
Width)(mm)	(Blade thickness x	Hex socket 5
Philips		Hex socket 5
(N.m)		5.6
		25~30
		TS-35
		NO



		NO
<b>-UL</b>		
(UL/CUL Group B)(V)		600
(UL/CUL Group B)(A)		105sol/150str
(UL/CUL Group C)(V)		600
(UL/CUL Group C)(A)		105sol/150str
(UL/CUL Group D)(V)		600
(UL/CUL Group D)(A)		5
UL/CUL	AWG	6
UL/CUL	AWG	2sol,1/0str
UL/CUL	AWG	6
UL/CUL	AWG	2sol,1/0str

**&**

	(YES or NO)	YES
가	(YES or NO)	NO
		120
		-40

**UL**

(Group B)(AWG)		6~1/0
(Group B)(V)		600
(Group B)(A)		105sol/150str
(Group C)(AWG)		6~1/0
(Group C)(V)		600
(Group C)(A)		105sol/150str
(Group D)(AWG)		6~1/0
(Group D)(V)		600
(Group D)(A)		5

**CUL**

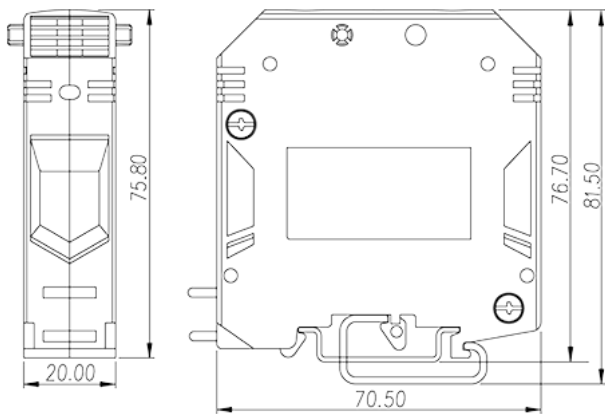
(Group B)(AWG)		6~1/0
(Group B)(V)		600
(Group B)(A)		105sol/150str

(Group C) (AWG)	6~1/0
(Group C) (V)	600
(Group C) (A)	105sol/150str
(Group D) (AWG)	6~1/0
(Group D) (V)	600
(Group D) (A)	5

## VDE

(mm <sup>2</sup> )	16~50
(V)	1000
(A)	150

(mm <sup>2</sup> )	16~50
(V)	1000
(A)	150





Delight Through Connections