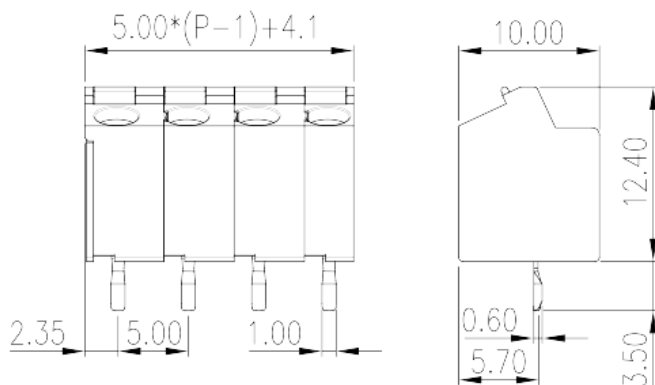


0185-31XX

PCB > PCB

:2026-05-14



Pitch : 5.00mm, 300V, 10A

PCB Terminal Blocks, Push-in Design	
PCB Terminal Blocks	
(mm)	5.00
	Black (default)
	Push in Design
	Without
	Wave Soldering
(mm)	$5.00 * (P - 1) + 4.1$
(mm)	10
(mm)	12.4
(x) (mm)	0.6x1
PCB (mm)	1.2
()	02P~24P
	Single level
	PA
	I



UL 94	V0
	500M at DC 500V
	COPPER ALLOY
	Tin PLATED

-IEC

(V)	320
(A)	14
(II/2)(V)	630
(III/2)(V)	320
(III/3)(V)	250
(II/2)(KV)	4
(III/2)(KV)	4
(III/3)(KV)	4
(mm ²)	0.2
(mm ²)	1.5
(mm ²)	0.2
(mm ²)	1.5
(mm ²) , ,	0.25
(mm ²) , ,	1
(mm ²) , ,	0.25
(mm ²) , ,	0.75
Width)(mm) (Blade thickness x	0.4x2.5
	8~9

-UL

(UL/CUL Group B)(V)	300
(UL/CUL Group B)(A)	10
(UL/CUL Group D)(V)	300
(UL/CUL Group D)(A)	10
UL/CUL AWG	26
UL/CUL AWG	16

UL/CUL	AWG	26
UL/CUL	AWG	16

&

가 (YES or NO)	YES
	120
	-40

UL

(Group B)(AWG)	26~16
(Group B)(V)	300
(Group B)(A)	10
(Group D)(AWG)	26~16
(Group D)(V)	300
(Group D)(A)	10

CUL

(Group B)(AWG)	26~16
(Group B)(V)	300
(Group B)(A)	10
(Group D)(AWG)	26~16
(Group D)(V)	300
(Group D)(A)	10

