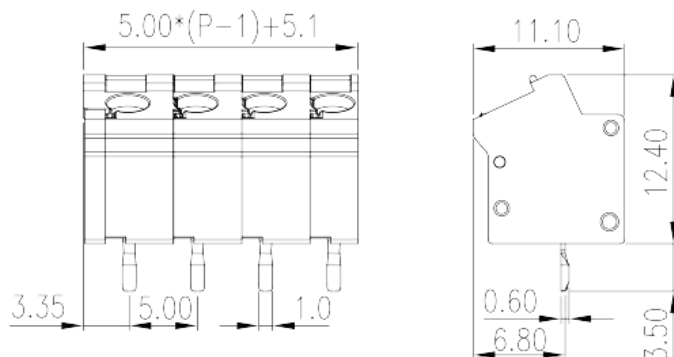


# 0185-32XX

PCB > PCB

:2026-07-06



Pitch : 5.00mm, 300V, 10A

PCB Terminal Blocks, Push-in Design	
PCB Terminal Blocks	
(mm)	5.00
	Black (default)
	Push in Design
	Without
	Wave Soldering
(mm)	$5.00 \times (P-1) + 5.1$
(mm)	11.1
(mm)	12.4
(    x    ) (mm)	0.6x1
PCB      (mm)	1.2
(    )	02P~20P
	Single level
	PA
	I

UL 94	V0
	500M at DC 500V
	COPPER ALLOY
	Tin PLATED

### -IEC

(V)	320
(A)	14
(II/2)(V)	630
(III/2)(V)	320
(III/3)(V)	250
(II/2)(KV)	4
(III/2)(KV)	4
(III/3)(KV)	4
(mm <sup>2</sup> )	0.2
(mm <sup>2</sup> )	1.5
(mm <sup>2</sup> )	0.2
(mm <sup>2</sup> )	1.5
(mm <sup>2</sup> ) , ,	0.25
(mm <sup>2</sup> ) , ,	1
(mm <sup>2</sup> ) , ,	0.25
(mm <sup>2</sup> ) , ,	0.75
Width)(mm) (Blade thickness x	0.4x2.5
	8~9

### -UL

(UL/CUL Group B)(V)	300
(UL/CUL Group B)(A)	10
(UL/CUL Group D)(V)	300
(UL/CUL Group D)(A)	10
UL/CUL AWG	26
UL/CUL AWG	16

UL/CUL	AWG	26
UL/CUL	AWG	16

&

가 (YES or NO)	YES
	120
	-40

