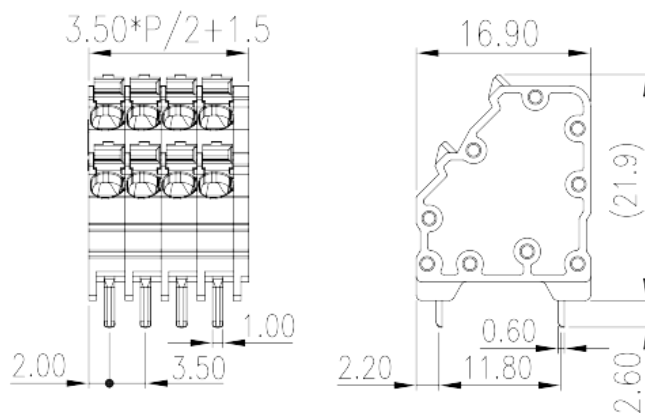
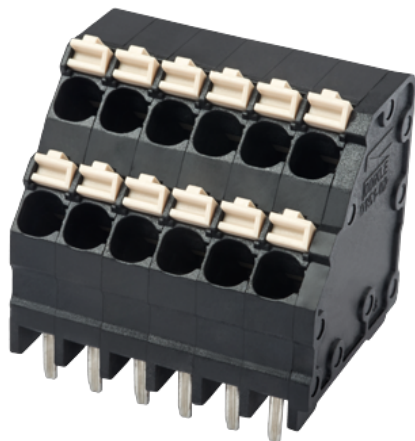


0151-02XXL

PCB > PCB

:2026-07-06



Pitch : 3.50 mm, 300V, 10A

	PCB Terminal Blocks, Push-in Design
	PCB Terminal Blocks
(mm)	3.50
	Black (default)
	Push in Design
	Without
	Reflow Soldering (Temperature condition according to standard IPC/JEDEC J-STD-020E)
(mm)	$3.50 * (P/2) + 1.5$
(mm)	16.9
(mm)	21.9
(x) (mm)	0.6x1
PCB (mm)	1.5
()	04P~48P
	Double level
	HIGH-TEMPERATURE PLASTICS



	I
UL 94	V0
	500M at DC 500V
	COPPER ALLOY
	Tin PLATED
MSL	2

-IEC

(V)	160
(A)	14
(II/2)(V)	320
(III/2)(V)	160
(III/3)(V)	160
(II/2)(KV)	2.5
(III/2)(KV)	2.5
(III/3)(KV)	2.5
(mm ²)	0.2
(mm ²)	1.5
(mm ²)	0.2
(mm ²)	1.5
(mm ²) , ,	0.25
(mm ²) , ,	0.75
(mm ²) , ,	0.25
(mm ²) , ,	0.75
	10~11

-UL

(UL/CUL Group B)(V)	300
(UL/CUL Group B)(A)	10
(UL/CUL Group D)(V)	300
(UL/CUL Group D)(A)	10
UL/CUL AWG	28
UL/CUL AWG	16

UL/CUL	AWG	28
UL/CUL	AWG	16

&

가 (YES or NO)	YES
	120
	-40

