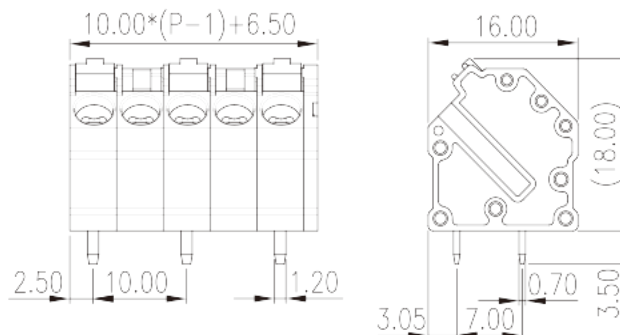


0153-41XX

PCB > PCB

:2026-07-05



Pitch : 10.00 mm, 600V, 20A

PCB Terminal Blocks, Push-in Design	
PCB Terminal Blocks	
(mm)	10.00
	Black (default)
	Push in Design
	Without
	Wave Soldering
(mm)	$10.00 * (P-1) + 6.5$
(mm)	16
(mm)	18
(x) (mm)	0.7x1.2
PCB (mm)	1.0x1.8
()	02P~12P
	Single level
	PA
	I



UL 94	V0
	500M at DC 500V
	COPPER ALLOY
	Tin PLATED

-IEC

(V)	1000
(A)	24
(II/2)(V)	1000
(III/2)(V)	1000
(III/3)(V)	1000
(II/2)(KV)	8
(III/2)(KV)	8
(III/3)(KV)	8
(mm ²)	0.2
(mm ²)	2.5
(mm ²)	0.2
(mm ²)	2.5
(mm ²) , ,	0.25
(mm ²) , ,	2.5
(mm ²) , ,	0.25
(mm ²) , ,	2.5
² (mm ²) , ,	0.5
² (mm ²) , ,	1.5
Width)(mm) (Blade thickness x	0.6x3.5
	12~14

-UL

(UL/CUL Group B)(V)	600
(UL/CUL Group B)(A)	20
(UL/CUL Group C)(V)	600

(UL/CUL Group C)(A)		20
(UL/CUL Group D)(V)		600
(UL/CUL Group D)(A)		5
UL/CUL	AWG	24
UL/CUL	AWG	12
UL/CUL	AWG	24
UL/CUL	AWG	12

&

가	(YES or NO)	YES
		120
		-40

UL

(Group B)(AWG)		24~12
(Group B)(V)		600
(Group B)(A)		20
(Group C)(AWG)		24~12
(Group C)(V)		600
(Group C)(A)		20
(Group D)(AWG)		24~12
(Group D)(V)		600
(Group D)(A)		5

CUL

(Group B)(AWG)		24~12
(Group B)(V)		600
(Group B)(A)		20
(Group C)(AWG)		24~12
(Group C)(V)		600
(Group C)(A)		20
(Group D)(AWG)		24~12
(Group D)(V)		600
(Group D)(A)		5

VDE

(mm ²)	0.2~2.5
(V)	1000
(A)	24

