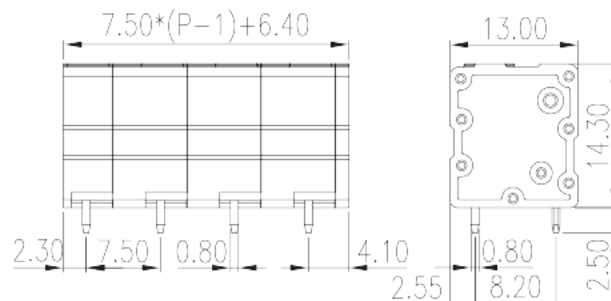


0177-53XP3

PCB > PCB

:2026-07-05



Pitch : 7.50 mm, 300V, 20A

		PCB Terminal Blocks, Push-in Design
		PCB Terminal Blocks
(mm)		7.50
		Black (default)
		Push in design
		Without
		Wave Soldering
(mm)		$7.50 * (P - 1) + 6.4$
(mm)		13
(mm)		14.3
() x () (mm)		0.8x0.8
PCB (mm)		1.4
()		02P~12P
		Single level
		PA
		I



UL 94	V0
	500M at DC 500V
	COPPER ALLOY
	Tin PLATED

-IEC

(V)	630
(A)	24
(II/2)(V)	1000
(III/2)(V)	630
(III/3)(V)	500
(II/2)(KV)	6
(III/2)(KV)	6
(III/3)(KV)	6
(mm ²)	0.2
(mm ²)	4
(mm ²)	0.2
(mm ²)	2.5
(mm ²)	0.2
(mm ²)	2.5
(mm ²)	0.2
(mm ²)	1.5
Width)(mm) (Blade thickness x	0.5x3
	9~10

-UL

(UL/CUL Group B)(V)	300
(UL/CUL Group B)(A)	20
(UL/CUL Group C)(V)	150
(UL/CUL Group C)(A)	20
(UL/CUL Group D)(V)	300
(UL/CUL Group D)(A)	10



UL/CUL	AWG	26
UL/CUL	AWG	12
UL/CUL	AWG	26
UL/CUL	AWG	12

&

(YES or NO)	YES
가 (YES or NO)	YES
	120
	-40

UL

(Group B)(AWG)	26~12
(Group B)(V)	300
(Group B)(A)	20
(Group C)(AWG)	26~12
(Group C)(V)	150
(Group C)(A)	20
(Group D)(AWG)	26~12
(Group D)(V)	300
(Group D)(A)	10

CUL

(Group B)(AWG)	26~12
(Group B)(V)	300
(Group B)(A)	20
(Group C)(AWG)	26~12
(Group C)(V)	150
(Group C)(A)	20
(Group D)(AWG)	26~12
(Group D)(V)	300
(Group D)(A)	10

VDE

(mm ²)	0.2~0.5
--------------------	---------

(V)	630
(A)	24

