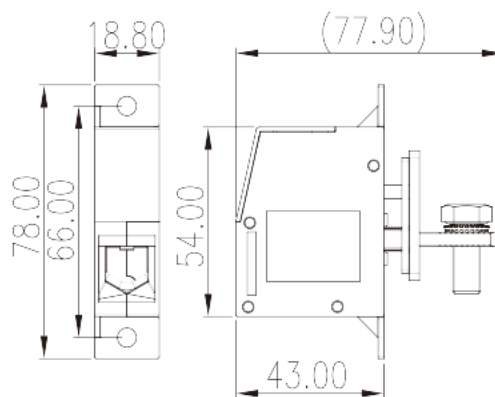
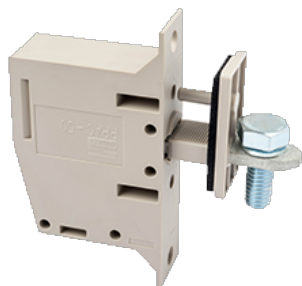


PPAC-50MAS

PCB >

:2026-07-04



M6, 300V, 150A

	Panel Feed-Through, Screw Connection
	Panel Feed-Through
	Grey (default)
	Screw Connection
	With mounting flange
(mm)	18.8
(mm)	77.9
(mm)	54
()	1P
	PA
	I
UL 94	V0
	500M at DC 500V
	COPPER ALLOY
	Tin PLATED

-IEC

(V)	400
(A)	150
(III/2)(V)	400
(III/2)(KV)	8
(mm ²)	16
(mm ²)	50
(mm ²)	16
(mm ²)	50
(mm ²) , ,	10
(mm ²) , ,	50
(mm ²) , ,	10
(mm ²) , ,	50
2 (mm ²)	16
2 (mm ²)	16
(mm ²) ² , ,	6
(mm ²) ² , ,	16
(mm ²) ² , ,	6
(mm ²) ² , ,	10
	M6
Philips	#6
(N.m)	5.9
(N.m)	52.5
(N.m)	5.9
	22~23

-UL

(UL/CUL Group B)(V)	300
(UL/CUL Group B)(A)	150
(UL/CUL Group C)(V)	300

(UL/CUL Group C)(A)		150
(UL/CUL Group D)(V)		600
(UL/CUL Group D)(A)		5
UL/CUL	AWG	6
UL/CUL	AWG	1/0
UL/CUL	AWG	6
UL/CUL	AWG	1/0

&

가	(YES or NO)	YES
		110
		-40

