

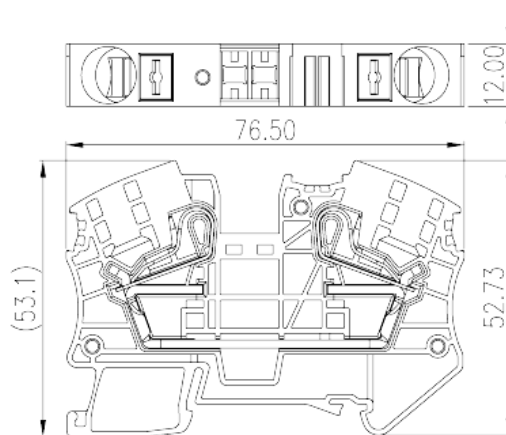
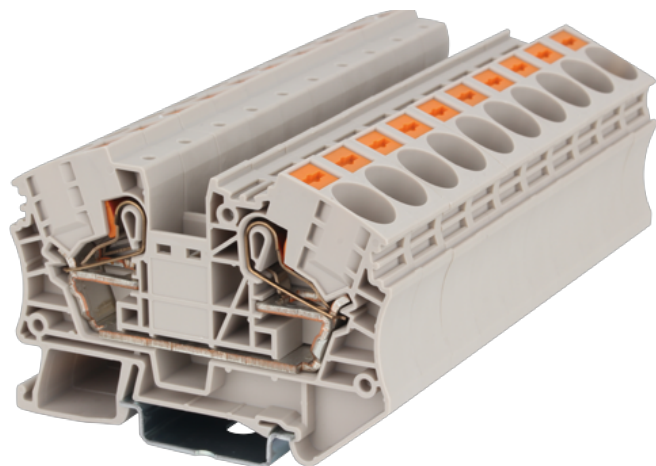
DP16

DIN

>

:2026-07-04

:1.1



600V, 82A, Beige (default)

	Single level Feed-Through Terminal Block, Push-in Design
	Single level Feed Through Terminal Block
	Beige (default)
	Push-in Design
	Rail Mounting
(mm)	76.5
(mm)	12
(mm)	53.1
()	1P
	Single level
	2
	PA
	I
UL 94	V0
	500M at DC 500V

-IEC

(V)	1000
(A)	76
(III/3)(V)	1000
(III/3)(KV)	8
(mm ²)	0.5
(mm ²)	25
(mm ²)	0.5
(mm ²)	16
(mm ²) , ,	0.5
(mm ²) , ,	16
(mm ²) , ,	0.5
(mm ²) , ,	16
² (mm ²) , ,	1.5
² (mm ²) , ,	4
Width)(mm) (Blade thickness x	1.0x5.5
	18
	TS-35、TS-35/15
	YES
	NO

-UL

(UL/CUL Group B)(V)	600
(UL/CUL Group B)(A)	82
(UL/CUL Group C)(V)	600
(UL/CUL Group C)(A)	82
UL/CUL AWG	20
UL/CUL AWG	4
UL/CUL AWG	20
UL/CUL AWG	4

&

(YES or NO)	YES
가 (YES or NO)	YES
	120
	-40

UL

(Group B)(AWG)	20~4
(Group B)(V)	600
(Group B)(A)	82
(Group C)(AWG)	20~4
(Group C)(V)	600
(Group C)(A)	82

CUL

(Group B)(AWG)	20~4
(Group B)(V)	600
(Group B)(A)	82
(Group C)(AWG)	20~4
(Group C)(V)	600
(Group C)(A)	82

