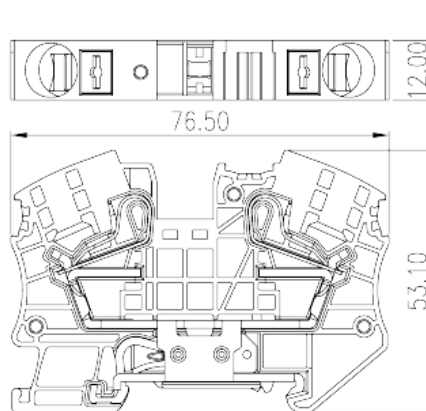
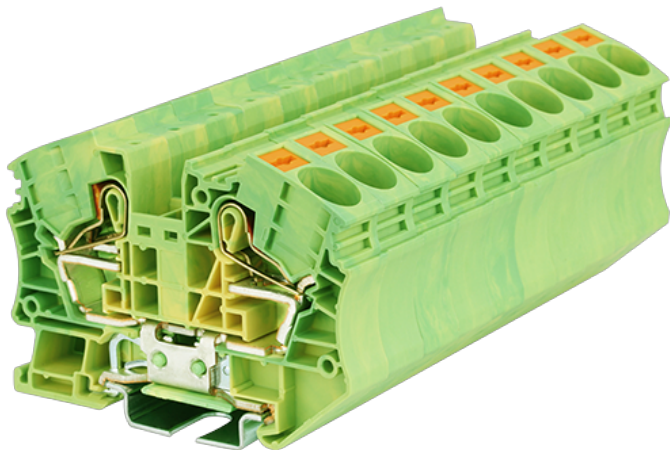


# DP16-PE

DIN

>

:2026-05-15



600V, Green-Yellow (default)

	Grounding Terminal Block, Push-in Design
	Grounding Terminal Block
	Green-Yellow (default)
	Push-in Design
	Rail Mounting
(mm)	76.5
(mm)	12
(mm)	53.1
( )	1P
	Single level
	2
	PA
	I
UL 94	V0
	500M at DC 500V

**-IEC**

(V)		1000
(III/3)(V)		1000
(III/3)(KV)		8
(mm <sup>2</sup> )		0.5
(mm <sup>2</sup> )		25
(mm <sup>2</sup> )		0.5
(mm <sup>2</sup> )		16
(mm <sup>2</sup> )	,	0.5
(mm <sup>2</sup> )	,	16
(mm <sup>2</sup> )	,	0.5
(mm <sup>2</sup> )	,	16
	<sup>2</sup> (mm <sup>2</sup> ) ,	1.5
	<sup>2</sup> (mm <sup>2</sup> ) ,	4
Width)(mm)	(Blade thickness x	1.0x5.5
		18
		TS-35、TS-35/15
		YES
		YES

**-UL**

(UL/CUL Group B)(V)		600
(UL/CUL Group C)(V)		600
UL/CUL	AWG	20
UL/CUL	AWG	4
UL/CUL	AWG	20
UL/CUL	AWG	4

**&**

(YES or NO)		YES
가 (YES or NO)		YES

	120
	-40

UL

(Group B)(AWG)	20~4
(Group B)(V)	600
(Group C)(AWG)	20~4
(Group C)(V)	600

CUL

(Group B)(AWG)	20~4
(Group B)(V)	600
(Group C)(AWG)	20~4
(Group C)(V)	600

