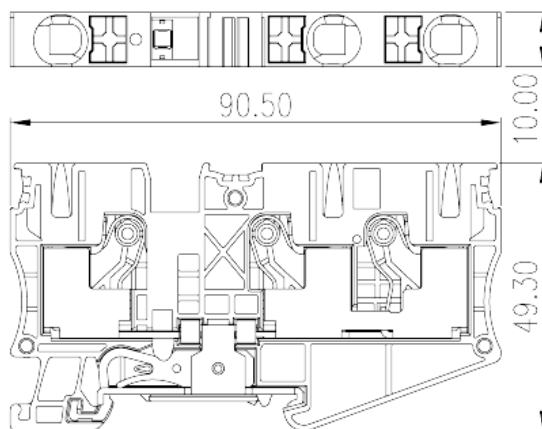
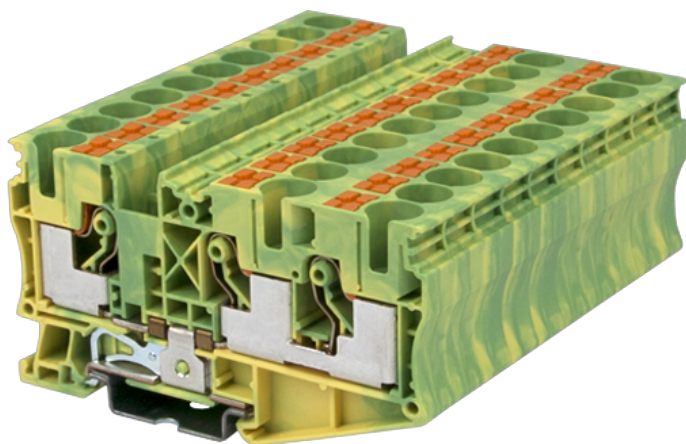


DP10-TN-PE

DIN

>

:2026-07-04



600V, Green-Yellow (default)

	Grounding Terminal Block, Push-in Design
	Grounding Terminal Block
	Green-Yellow (default)
	Push-in Design
	Rail Mounting
(mm)	90.5
(mm)	10
(mm)	49.3
()	1P
	Single level
	3
	PA
	I
UL 94	V0
	500M at DC 500V

-IEC

(V)		1000
(III/3)(V)		1000
(III/3)(KV)		8
(mm ²)		0.5
(mm ²)		16
(mm ²)		0.5
(mm ²)		10
(mm ²)	,	0.5
(mm ²)	,	10
(mm ²)	,	0.5
(mm ²)	,	10
	² (mm ²) ,	1.5
	² (mm ²) ,	4
Width)(mm)	(Blade thickness x	1.0x5.5
		18
		TS-35、TS-35/15
		YES
		YES

-UL

(UL/CUL Group B)(V)		600
(UL/CUL Group C)(V)		600
UL/CUL	AWG	20
UL/CUL	AWG	6
UL/CUL	AWG	20
UL/CUL	AWG	6

&

(YES or NO)		YES
가 (YES or NO)		YES

	120
	-40

UL

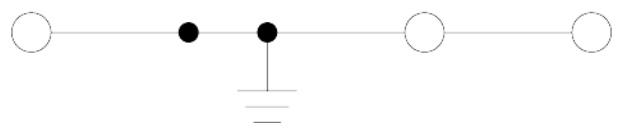
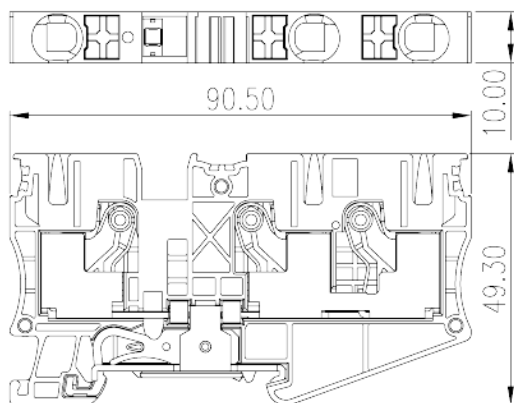
(Group B)(AWG)	20~6
(Group B)(V)	600
(Group C)(AWG)	20~6
(Group C)(V)	600

CUL

(Group B)(AWG)	20~6
(Group B)(V)	600
(Group C)(AWG)	20~6
(Group C)(V)	600

VDE

(mm ²)	0.5~10
(V)	1000





Delight Through Connections