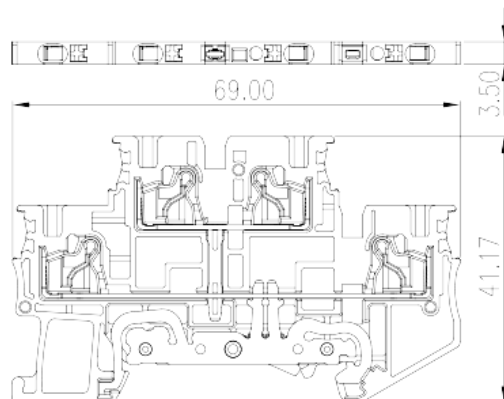
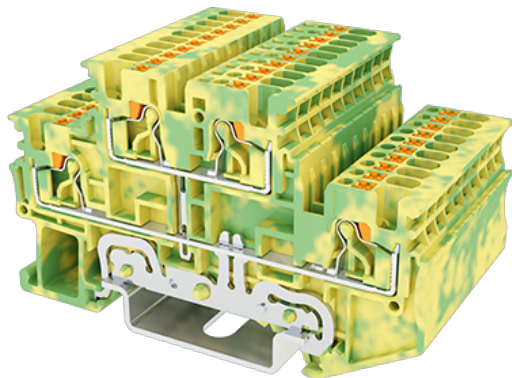


# DPP1.5N-PE

DIN

>

:2026-07-05



300V, Green-Yellow (default)

	Grounding Terminal Block, Push-in Design
	Grounding Terminal Blocks
	Green-Yellow (default)
	Push-in Design
	Rail Mounting
(mm)	69
(mm)	3.5
(mm)	41.2
( )	1P
	Double level
	4
	PA
	I
UL 94	V0
	500M at DC 500V

**-IEC**

(V)		500
(III/3)(V)		500
(III/3)(KV)		6
(mm <sup>2</sup> )		0.14
(mm <sup>2</sup> )		1.5
(mm <sup>2</sup> )		0.14
(mm <sup>2</sup> )		1.5
(mm <sup>2</sup> )	,	0.25
(mm <sup>2</sup> )	,	1.5
(mm <sup>2</sup> )	,	0.25
(mm <sup>2</sup> )	,	0.75
Width)(mm)	(Blade thickness x	0.4x2.5
		8~9
		TS-35
		YES
		YES

**-UL**

(UL/CUL Group B)(V)		300
(UL/CUL Group C)(V)		300
UL/CUL	AWG	26
UL/CUL	AWG	14
UL/CUL	AWG	26
UL/CUL	AWG	14

**&**

(YES or NO)		YES
가 (YES or NO)		YES
		120
		-40

## UL

(Group B) (AWG)	26~14
(Group B) (V)	300
(Group C) (AWG)	26~14
(Group C) (V)	300

## CUL

(Group B) (AWG)	26~14
(Group B) (V)	300
(Group C) (AWG)	26~14
(Group C) (V)	300

## VDE

(mm <sup>2</sup> )	0.14~1.5
(V)	500

