

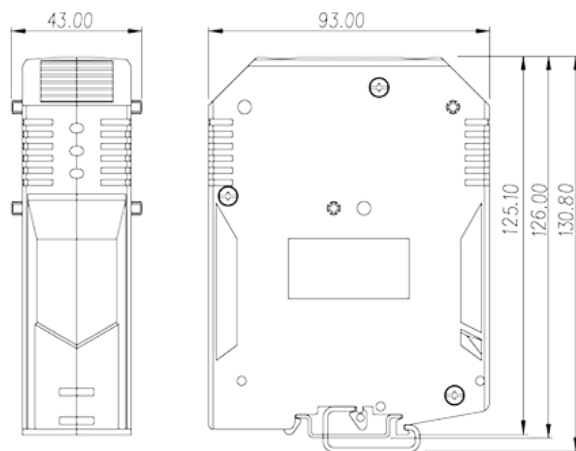
DK240

DIN

>

:2026-07-04

:1.2



M10, 600V, 370A, Beige (default)

| | |
|-------|--|
| | DIN rail terminal blocks, Feed through terminal blocks |
| | Feed through terminal blocks |
| | Beige (default) |
| | Screw connection |
| | Rail mounting |
| (mm) | 93 |
| (mm) | 43 |
| (mm) | 125.1 |
| () | 1P |
| | Single level |
| | 2 |
| | PA |
| | I |
| UL 94 | V0 |
| | 500M at DC 500V |

-IEC

| | | |
|----------------------|--------------------|--------------|
| (V) | | 1000 |
| (A) | | 415 |
| (III/3)(V) | | 1000 |
| (II/2)(KV) | | 8 |
| (III/2)(KV) | | 8 |
| (III/3)(KV) | | 8 |
| (mm ²) | | 95 |
| (mm ²) | | 240 |
| (mm ²) | | 95 |
| (mm ²) | | 240 |
| (mm ²) | , | 95 |
| (mm ²) | , | 185 |
| (mm ²) | , | 95 |
| (mm ²) | , | 185 |
| 2 | (mm ²) | 95 |
| 2 | (mm ²) | 95 |
| 2 | (mm ²) | 95 |
| 2 | (mm ²) | 95 |
| (mm ²) 2 | , | 95 |
| (mm ²) 2 | , | 50 |
| 2 | (mm ²) | 50 |
| 2 | (mm ²) | 50 |
| | | M10 |
| Width)(mm) | (Blade thickness x | Hex socket 8 |
| Philips | | Hex socket 8 |
| (N.m) | | 18.6 |
| | | 30~40 |
| | | TS-35 |
| | | NO |

| | | |
|---------------------|-----|-----|
| | | NO |
| -UL | | |
| (UL/CUL Group B)(V) | | 600 |
| (UL/CUL Group B)(A) | | 370 |
| (UL/CUL Group C)(V) | | 600 |
| (UL/CUL Group C)(A) | | 370 |
| (UL/CUL Group D)(V) | | 600 |
| (UL/CUL Group D)(A) | | 370 |
| UL/CUL | AWG | 300 |
| UL/CUL | AWG | 500 |
| UL/CUL | AWG | 300 |
| UL/CUL | AWG | 500 |

&

| | | |
|---|-------------|-----|
| | (YES or NO) | YES |
| 가 | (YES or NO) | NO |
| | | 120 |
| | | -40 |

UL

| | | |
|----------------|--|---------|
| (Group B)(AWG) | | 300~500 |
| (Group B)(V) | | 600 |
| (Group B)(A) | | 370 |
| (Group C)(AWG) | | 300~500 |
| (Group C)(V) | | 600 |
| (Group C)(A) | | 370 |
| (Group D)(AWG) | | 300~500 |
| (Group D)(V) | | 600 |
| (Group D)(A) | | 370 |

CUL

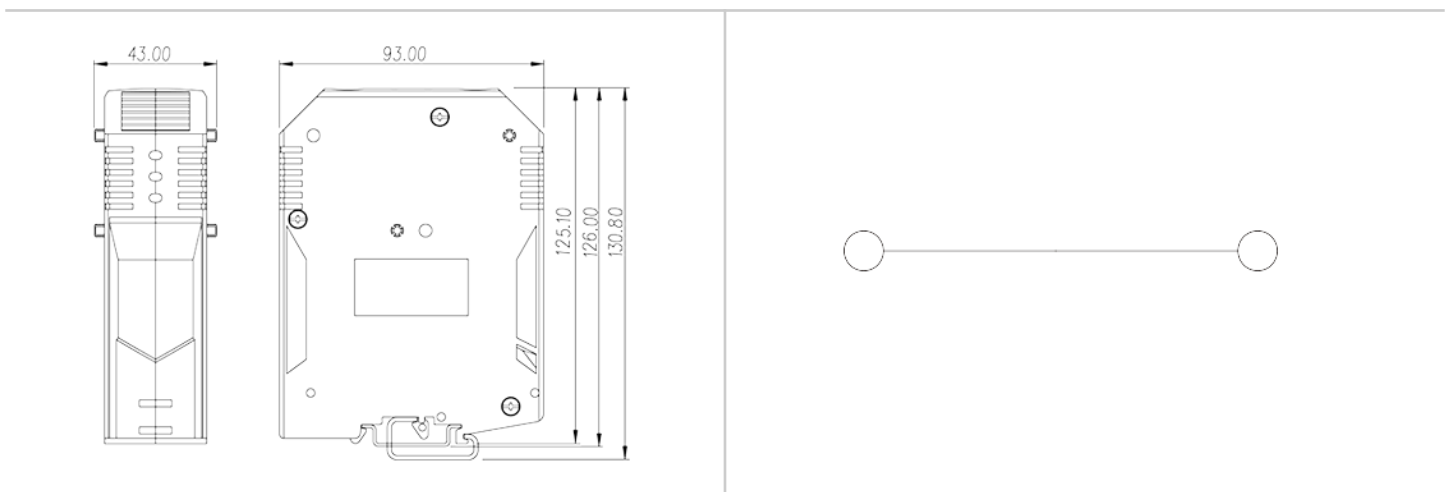
| | | |
|----------------|--|---------|
| (Group B)(AWG) | | 300~500 |
| (Group B)(V) | | 600 |
| (Group B)(A) | | 370 |

| | |
|-----------------|---------|
| (Group C) (AWG) | 300~500 |
| (Group C) (V) | 600 |
| (Group C) (A) | 370 |
| (Group D) (AWG) | 300~500 |
| (Group D) (V) | 600 |
| (Group D) (A) | 370 |

VDE

| | |
|--------------------|--------|
| (mm ²) | 95~240 |
| (V) | 1000 |
| (A) | 415 |

| | |
|--------------------|--------|
| (mm ²) | 95~240 |
| (V) | 1000 |
| (A) | 415 |





Delight Through Connections