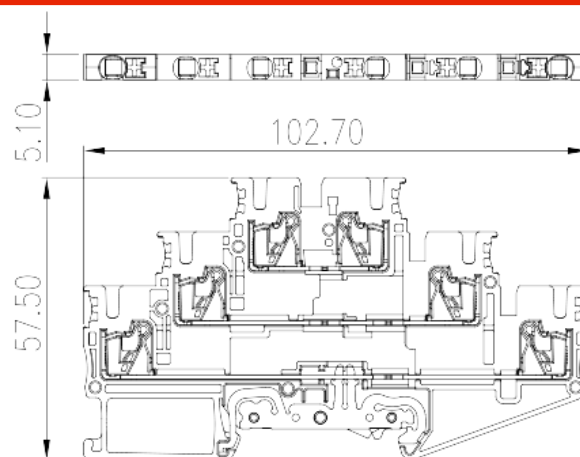
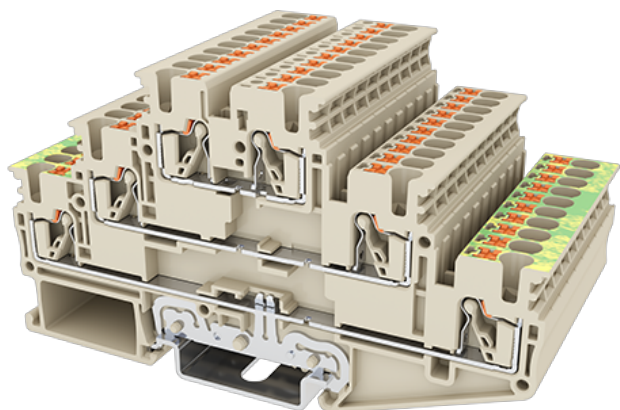


DP2.5N-3L-L3PE

DIN

>

:2026-07-05



300V, 20A, Beige (default)

	Grounding Terminal Block, Push-in Design
	Grounding Terminal Blocks
	Beige (default)
	Push-in Design
	Rail Mounting
(mm)	102.7
(mm)	5.1
(mm)	57.5
()	1P
	Three level
	6
	PA
	I
UL 94	V0
	500M at DC 500V

-IEC

(V)	500
(A)	20
(III/3)(V)	500
(III/3)(KV)	6
(mm ²)	0.14
(mm ²)	4
(mm ²)	0.14
(mm ²)	2.5
(mm ²) , ,	0.25
(mm ²) , ,	2.5
(mm ²) , ,	0.25
(mm ²) , ,	2.5
² (mm ²) , ,	0.5
² (mm ²) , ,	0.5
Width)(mm) (Blade thickness x	0.6x3.5
	10
	TS-35
	YES
	YES

-UL

(UL/CUL Group B)(V)	300
(UL/CUL Group B)(A)	20
(UL/CUL Group C)(V)	300
(UL/CUL Group C)(A)	20
UL/CUL AWG	26
UL/CUL AWG	12
UL/CUL AWG	26
UL/CUL AWG	12

&

	(YES or NO)	YES
가	(YES or NO)	YES
		120
		-40

UL

	(Group B)(AWG)	26~12
	(Group B)(V)	300
	(Group B)(A)	20
	(Group C)(AWG)	26~12
	(Group C)(V)	300
	(Group C)(A)	20

CUL

	(Group B)(AWG)	26~12
	(Group B)(V)	300
	(Group B)(A)	20
	(Group C)(AWG)	26~12
	(Group C)(V)	300
	(Group C)(A)	20

