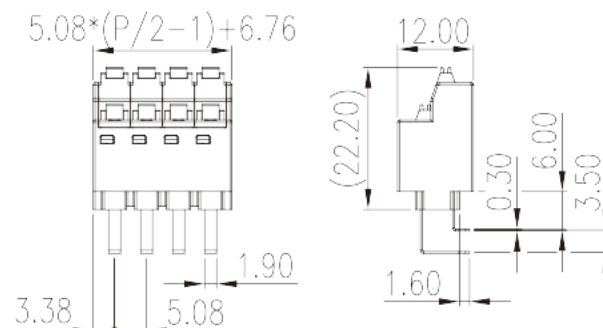
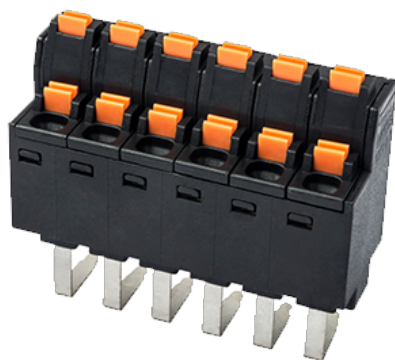


0228-23XX

PCB > PCB

:2026-07-06



Pitch :5.08mm, 300V, 8A

	PCB Terminal Blocks, Spring Clamp Connection
	PCB Terminal Blocks
(mm)	5.08
	Black (default)
	Spring Clamp Connection
	Without
	Wave soldering
(mm)	$5.08 * (P/2 - 1) + 6.76$
(mm)	29.05
(mm)	12
(x) (mm)	0.3x1.3
PCB (mm)	0.6x1.8
()	04P~40P
	PA
	I
UL 94	V0



	500M at DC 500V
	COPPER ALLOY
	Tin PLATED

-IEC

(V)	320
(A)	10
(II/2)(V)	630
(III/2)(V)	320
(III/3)(V)	250
(II/2)(KV)	4
(III/2)(KV)	4
(III/3)(KV)	4
(mm ²)	0.2
(mm ²)	1.5
(mm ²)	0.2
(mm ²)	1.5
(mm ²) , ,	0.25
(mm ²) , ,	1.0
(mm ²) , ,	0.25
(mm ²) , ,	1.0
Philips	0.4x2.5
	8~9

-UL

(UL/CUL Group B)(V)	300
(UL/CUL Group B)(A)	8
(UL/CUL Group C)(V)	300
(UL/CUL Group C)(A)	8
UL/CUL AWG	28
UL/CUL AWG	16

&

가	(YES or NO)	YES
		120
		-40

UL

(Group B)(AWG)	28~16
(Group B)(V)	300
(Group B)(A)	8
(Group D)(AWG)	28~16
(Group D)(V)	300
(Group D)(A)	8

CUL

(Group B)(AWG)	28~16
(Group B)(V)	300
(Group B)(A)	8
(Group D)(AWG)	28~16
(Group D)(V)	300
(Group D)(A)	8

