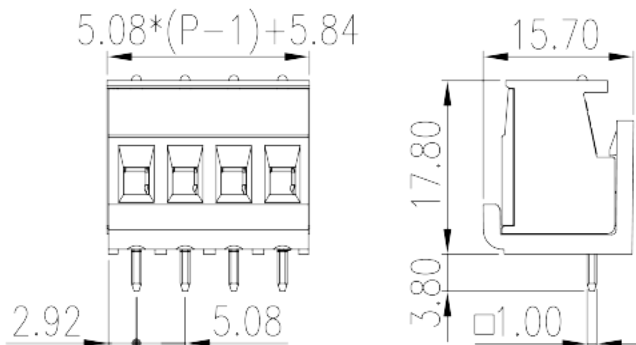


0164-A1XX

PCB > PCB -

:2026-07-05



Pitch : 5.08 mm, 300V, 10A(sol)/15A(str)

		PCB Terminal Blocks, Screw Connection
		PCB Terminal Blocks
(mm)		5.08
		Black (default)
		Screw connection
		With lock flange
		Wave Soldering
(mm)		$5.08*(P-1) + 5.84$
(mm)		15.7
(mm)		17.8
() x () (mm)		1.0x1.0
PCB (mm)		1.5
()		02P~24P
		PA
		I
UL 94		V0



	500M at DC 500V
	COPPER ALLOY
	Tin PLATED

-IEC

(V)	320
(A)	15
(II/2)(V)	630
(III/2)(V)	320
(III/3)(V)	250
(II/2)(KV)	4
(III/2)(KV)	4
(III/3)(KV)	4
(mm ²)	0.2
(mm ²)	2.5
(mm ²)	0.2
(mm ²)	2.5
(mm ²) , ,	0.25
(mm ²) , ,	2.5
(mm ²) , ,	0.25
(mm ²) , ,	2.5
2 (mm ²)	0.2
2 (mm ²)	1
2 (mm ²)	0.2
2 (mm ²)	1
(mm ²) 2 , ,	0.25
(mm ²) 2 , ,	1
2 (mm ²) , ,	0.5
2 (mm ²) , ,	1
	M2.5



Philips	0.6*3.5
(N.m)	0.5
(N.m)	0.6
	6~7

-UL

(UL/CUL Group B)(V)	300
(UL/CUL Group B)(A)	10A(sol)/15A(str)
(UL/CUL Group D)(V)	300
(UL/CUL Group D)(A)	10
UL/CUL AWG	26
UL/CUL AWG	12(sol) / 16(str)
UL/CUL AWG	26
UL/CUL AWG	12(sol) / 16(str)

&

가 (YES or NO)	YES
	120
	-40

UL

(Group B)(AWG)	26~12(sol) / 26~16(str)
(Group B)(V)	300
(Group B)(A)	10A(sol)/15A(str)
(Group D)(AWG)	12~26
(Group D)(V)	300
(Group D)(A)	10

CUL

(Group B)(AWG)	26~12(sol) / 26~16(str)
(Group B)(V)	300
(Group B)(A)	10A(sol)/15A(str)
(Group D)(AWG)	12~26
(Group D)(V)	300
(Group D)(A)	10

