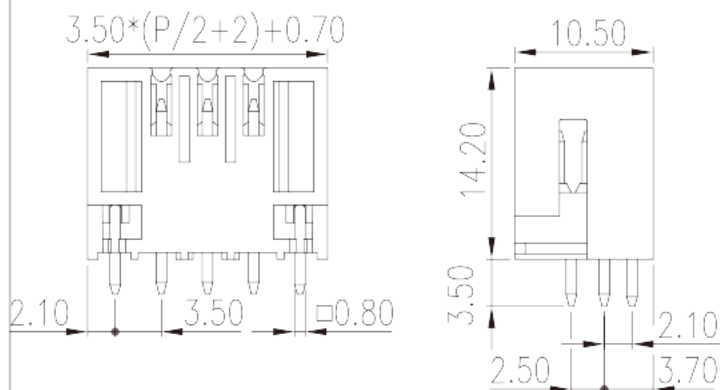


# 0156-24XX-BK-WR

PCB >

:2026-05-14 :V1



Pitch : 3.50 mm, 150V, 10A

|                  |  |
|------------------|--|
|                  | PCB Connector – Socket, Wave soldering |
|                  | PCB Connector – Socket                 |
| (mm)             | 3.5                                    |
|                  | Black (default)                        |
|                  | With threaded flange                   |
|                  | Wave soldering                         |
| (mm)             | $3.50 * (P/2 + 2) + 0.7$               |
| (mm)             | 10.5                                   |
| (mm)             | 14.2                                   |
| (    x    ) (mm) | 0.8x0.8                                |
| PCB (mm)         | 1.4                                    |
| (    )           | 04P~40P                                |
|                  | Double level                           |
|                  | PA                                     |



|       |                 |
|-------|-----------------|
|       | I               |
| UL 94 | V0              |
|       | 500M at DC 500V |
|       | COPPER ALLOY    |
|       | Tin PLATED      |

**-IEC**

|             |     |
|-------------|-----|
| (V)         | 320 |
| (A)         | 10  |
| (II/2)(V)   | 320 |
| (III/2)(V)  | 160 |
| (III/3)(V)  | 160 |
| (II/2)(KV)  | 2.5 |
| (III/2)(KV) | 2.5 |
| (III/3)(KV) | 2.5 |

**-UL**

|                     |     |
|---------------------|-----|
| (UL/CUL Group B)(V) | 150 |
| (UL/CUL Group B)(A) | 10  |

**&**

|               |     |
|---------------|-----|
| 가 (YES or NO) | YES |
|               | 120 |
|               | -40 |

**UL**

|              |     |
|--------------|-----|
| (Group B)(V) | 150 |
| (Group B)(A) | 10  |

**CUL**

|              |     |
|--------------|-----|
| (Group B)(V) | 150 |
| (Group B)(A) | 10  |

