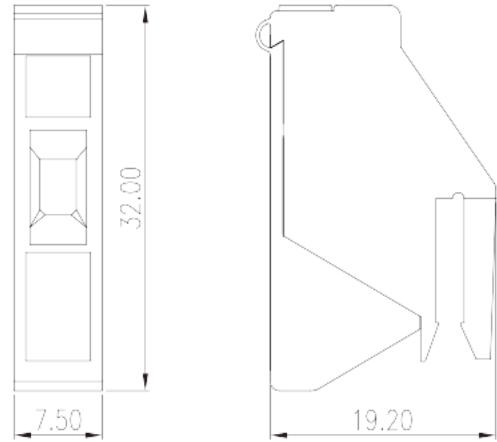


TKE04

PCB >

:2026-07-04 :1.2



Pitch : 7.50 mm, M3, 600V, 25sol/30str

	Transformer terminal blocks, Screw connection
(mm)	7.5
	Green (default)
	Screw connection
	Rail mounting
	PA
	I
UL 94	V0
	COPPER ALLOY
	Tin PLATED
-IEC	
(V)	800
(A)	32
(III/3)(V)	800
(II/2)(KV)	8

(III/2)(KV)	8
	M3
Width)(mm) (Blade thickness x	0.8x4
(N.m)	0.5
	10~11

-UL

(UL/CUL Group B)(V)	600
(UL/CUL Group B)(A)	25(Sol)/30(Str)
(UL/CUL Group C)(V)	600
(UL/CUL Group C)(A)	25(Sol)/30(Str)
(UL/CUL Group D)(V)	600
(UL/CUL Group D)(A)	5
UL/CUL AWG	30
UL/CUL AWG	10
UL/CUL AWG	30
UL/CUL AWG	10

&

(YES or NO)	YES
가 (YES or NO)	YES
	115
	-40

UL

(Group B)(AWG)	10~30
(Group B)(V)	600
(Group B)(A)	25(Sol)/30(Str)
(Group C)(AWG)	10~30
(Group C)(V)	600
(Group C)(A)	25(Sol)/30(Str)
(Group D)(AWG)	10~30
(Group D)(V)	600
(Group D)(A)	5

CUL

(Group B) (AWG)	10~30
(Group B) (V)	600
(Group B) (A)	25(Sol)/30(Str)
(Group C) (AWG)	10~30
(Group C) (V)	600
(Group C) (A)	25(Sol)/30(Str)
(Group D) (AWG)	10~30
(Group D) (V)	600
(Group D) (A)	5

