

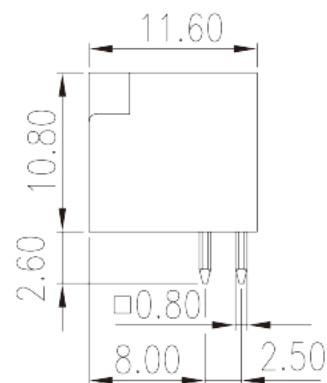
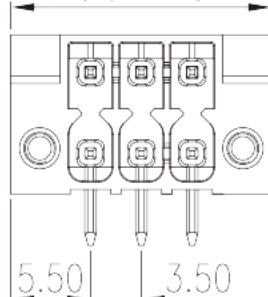
# 0159-11XXLWR

PCB &gt;

:2026-07-05 :V1



$$3.50 \times (P/2 - 1) + 11.0$$



Pitch : 3.50 mm, 150V, 8A

	PCB Connector – Socket, Reflow soldering
	PCB Connector – Socket
(mm)	3.5
	Black (default)
	With threaded flange / With release tool
	Reflow Soldering (Temperature condition according to standard IPC/JEDEC J-STD-020E)
(mm)	$3.50 \times (P/2 - 1) + 11.00$
(mm)	11.6
(mm)	10.8
(    x    ) (mm)	0.8x0.8
PCB (mm)	1.4
(    )	04P~40P
	Double level
	<b>HIGH-TEMPERATURE PLASTICS</b>
	IIIa



UL 94	V0
	500M at DC 500V
	COPPER ALLOY
	Tin PLATED
MSL	I

**-IEC**

(V)	250
(A)	8
(II/2)(V)	250
(III/2)(V)	160
(III/3)(V)	160
(II/2)(KV)	2.5
(III/2)(KV)	2.5
(III/3)(KV)	2.5
(N.m)	0.1

**-UL**

(UL/CUL Group B)(V)	300
(UL/CUL Group B)(A)	8

**&**

가 (YES or NO)	YES
	120
	-40

**UL**

(Group B)(V)	150
(Group B)(A)	8
(Group C)(V)	50
(Group C)(A)	8
(Group D)(V)	300
(Group D)(A)	8

**CUL**

--	--

(Group B)(V)	150
(Group B)(A)	8
(Group C)(V)	50
(Group C)(A)	8
(Group D)(V)	300
(Group D)(A)	8

