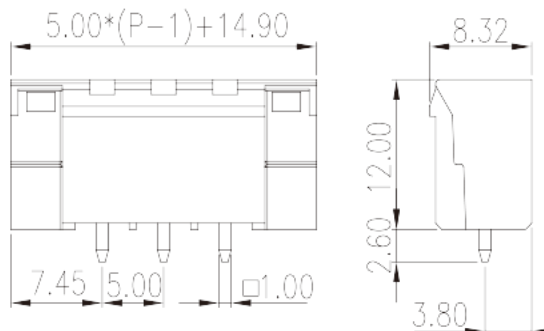


5EHDVM-XXPLWR

PCB >

:2026-07-05 :V1



Pitch: 5.00 mm, 300V, 15A

	PCB Connector – Socket, Reflow Soldering
	PCB Connector – Socket
(mm)	5
	Black (default)
	With threaded flange
	Reflow Soldering (Temperature condition according to standard IPC/JEDEC J-STD-020E)
(mm)	$5.00 \times (P-1) + 14.9$
(mm)	8.32
(mm)	12
(x) (mm)	1.0x1.0
PCB (mm)	1.6
()	02P~24P
	Single level



	HIGH-TEMPERATURE PLASTICS
UL 94	V0
	500M at DC 500V
	COPPER ALLOY
	Tin PLATED
MSL	1

-IEC

(V)	600
(A)	18
(II/2)(V)	600
(III/2)(V)	320
(III/3)(V)	250
(II/2)(KV)	4
(III/2)(KV)	4
(III/3)(KV)	4
(N.m)	0.3

-UL

(UL/CUL Group B)(V)	300
(UL/CUL Group B)(A)	15
(UL/CUL Group D)(V)	300
(UL/CUL Group D)(A)	10

&

가 (YES or NO)	NO
	120
	-40

UL

(Group B)(V)	300
(Group B)(A)	15
(Group D)(V)	300
(Group D)(A)	10

CUL

(Group B) (V)	300
(Group B) (A)	15
(Group D) (V)	300
(Group D) (A)	10

