

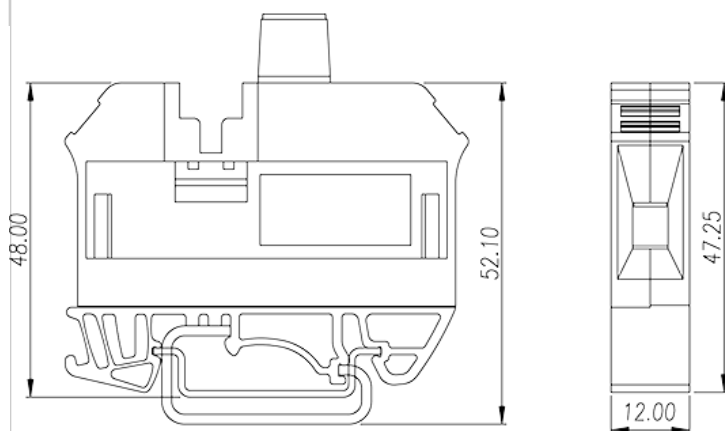
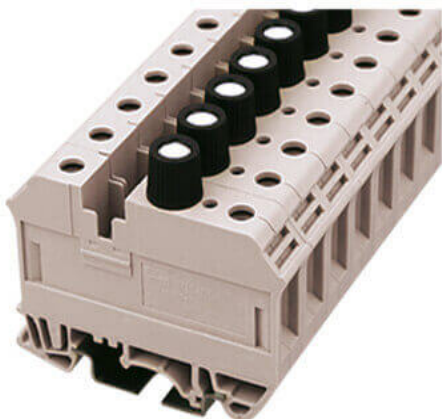
# DK10-TFA

DIN

>

:2026-05-14

:1.2



M4, 600V, 6.3A, Beige (default)

	DIN rail terminal blocks, Fuse terminal blocks
	Fuse terminal blocks
	Beige (default)
	Screw connection
	Rail mounting
(mm)	61.63
(mm)	12
(mm)	47.2
( )	1P
	Single level
	2
	PA
	I
UL 94	V0
	500M at DC 500V

## -IEC

(V)		800
(A)		6.3
(III/3)(V)		800
(II/2)(KV)		8
(III/2)(KV)		8
(III/3)(KV)		8
(mm <sup>2</sup> )		1.5
(mm <sup>2</sup> )		10
(mm <sup>2</sup> )		1.5
(mm <sup>2</sup> )		10
(mm <sup>2</sup> )	,	1.5
(mm <sup>2</sup> )	,	10
(mm <sup>2</sup> )	,	1.5
(mm <sup>2</sup> )	,	10
2	(mm <sup>2</sup> )	1.5
2	(mm <sup>2</sup> )	6
2	(mm <sup>2</sup> )	1.5
2	(mm <sup>2</sup> )	6
(mm <sup>2</sup> ) 2	,	1.5
(mm <sup>2</sup> ) 2	,	6
2	(mm <sup>2</sup> )	1.5
2	(mm <sup>2</sup> )	4
		M4
Width)(mm)	(Blade thickness x	0.8x4.0
Philips		PH2
(N.m)		1.8
		12~16
		TS-35
		NO



	NO
--	----

**-UL**

(UL/CUL Group B)(V)	600
(UL/CUL Group B)(A)	6.3
(UL/CUL Group D)(V)	600
(UL/CUL Group D)(A)	5
UL/CUL AWG	22
UL/CUL AWG	6
UL/CUL AWG	22
UL/CUL AWG	6

**&**

(YES or NO)	YES
가 (YES or NO)	YES
	120
	-40

**UL**

(Group B)(AWG)	22~6
(Group B)(V)	600
(Group B)(A)	6.3
(Group D)(AWG)	22~6
(Group D)(V)	600
(Group D)(A)	5

**CUL**

(Group B)(AWG)	22~6
(Group B)(V)	600
(Group B)(A)	6.3
(Group D)(AWG)	22~6
(Group D)(V)	600
(Group D)(A)	5

