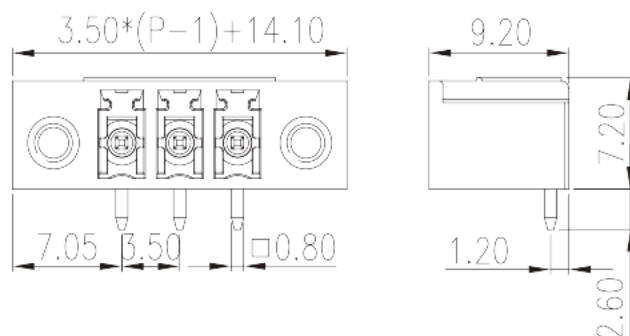


ECH350RM- XXPLWR

PCB >

:2026-07-05 :V1



Pitch: 3.50 mm, 300V, 8A

	PCB Connector – Socket, Reflow Soldering
	PCB Connector – Socket
(mm)	3.5
	Black (default)
	With threaded flange
	Reflow Soldering (Temperature condition according to standard IPC/JEDEC J-STD-020E)
(mm)	$3.50 \times (P-1) + 14.1$
(mm)	9.199999999999999
(mm)	7.2
(x) (mm)	0.8x0.8
PCB (mm)	1.4
()	02P~24P
	Single level



	HIGH-TEMPERATURE PLASTICS
UL 94	V0
	500M at DC 500V
	COPPER ALLOY
	Tin PLATED
MSL	1

-IEC

(V)	320
(A)	14
(II/2)(V)	320
(III/2)(V)	160
(III/3)(V)	160
(II/2)(KV)	2.5
(III/2)(KV)	2.5
(III/3)(KV)	2.5
(N.m)	0.3

-UL

(UL/CUL Group B)(V)	300
(UL/CUL Group B)(A)	8
(UL/CUL Group D)(V)	300
(UL/CUL Group D)(A)	8

&

가 (YES or NO)	YES
	120
	-40

UL

(Group B)(V)	300
(Group B)(A)	8
(Group D)(V)	300
(Group D)(A)	8

CUL

(Group B) (V)	300
(Group B) (A)	8
(Group D) (V)	300
(Group D) (A)	8

