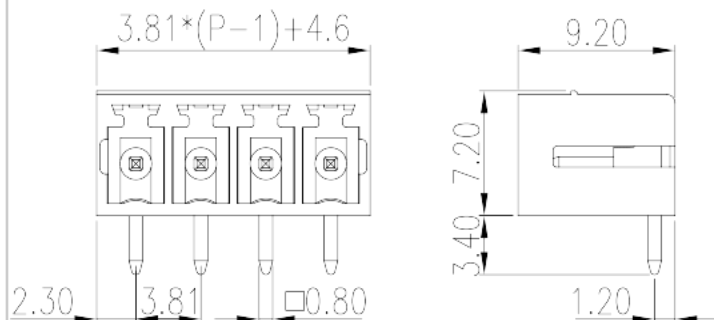


# ECH381R- XXPWR

PCB >

:2026-07-05 :V1



Pitch: 3.81 mm, 300V, 8A

	PCB Connector – Socket, Wave soldering
	PCB Connector – Socket
(mm)	3.81
	Black (default)
	Without
	Wave Soldering
(mm)	$3.81 \times (P-1) + 4.6$
(mm)	9.2
(mm)	7.2
(    x    ) (mm)	0.8x0.8
PCB (mm)	1.2~1.3
(    )	02P~24P
	Single level
	PA



	I
UL 94	V0
	500M at DC 500V
	COPPER ALLOY
	Tin PLATED

**-IEC**

(V)	320
(A)	14
(II/2)(V)	320
(III/2)(V)	160
(III/3)(V)	160
(II/2)(KV)	2.5
(III/2)(KV)	2.5
(III/3)(KV)	2.5

**-UL**

(UL/CUL Group B)(V)	300
(UL/CUL Group B)(A)	8
(UL/CUL Group D)(V)	300
(UL/CUL Group D)(A)	8

**&**

가 (YES or NO)	YES
	120
	-40

**UL**

(Group B)(V)	300
(Group B)(A)	8
(Group D)(V)	300
(Group D)(A)	8

**CUL**

(Group B)(V)	300
--------------	-----

(Group B)(A)	8
(Group D)(V)	300
(Group D)(A)	8

