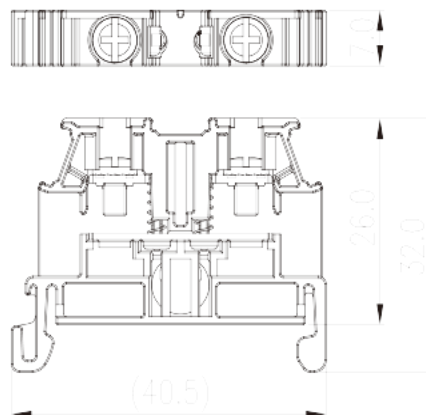
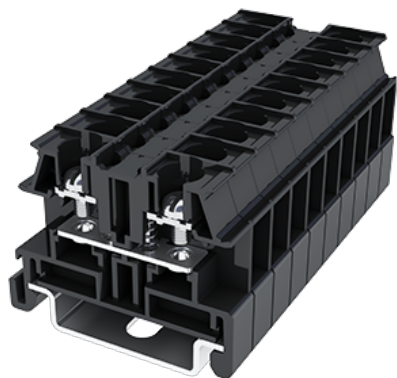


# DKU15

NEMA

>

:2026-07-05



M3, 600V, 15/20A

	Feed-Through single level, Screw Connection
	Feed-Through single level
(mm)	7
	Refer to drawing
	Screw Connection
	Rail mounting
(mm)	40.5
(mm)	7
(mm)	33.5 ( TS-35N ) /41 ( TS-35/15N )
	01P
( )	01P
	1
	2
	PC
	a
UL 94	V2



	1000M at DC 500V
	COPPER ALLOY
	Tin PLATED

**-IEC**

(V)	800
(A)	17.5
(III/3)(V)	800
(III/3)(KV)	8
(mm <sup>2</sup> )	0.2
(mm <sup>2</sup> )	1.5
(mm <sup>2</sup> )	0.2
(mm <sup>2</sup> )	1.5
	M3
Philips	PH2
(N.m)	0.6~1
(N.m)	0.6
	The stripping length depends on the specification provided by the cablelug manufacturer.
	TS-35N、TS-35/15N
	YES
	NO

**-UL**

(UL/CUL Group B)(V)	600
(UL/CUL Group B)(A)	15
(UL/CUL Group C)(V)	600
(UL/CUL Group C)(A)	15
(UL/CUL Group D)(V)	600
(UL/CUL Group D)(A)	15
UL/CUL AWG	26
UL/CUL AWG	14
UL/CUL AWG	26
UL/CUL AWG	14

**&**



(YES or NO)	YES
가 (YES or NO)	YES
	125
	-40

**UL**

(Group B)(AWG)	26-14/(2)26-(2)16
(Group B)(V)	600
(Group B)(A)	15/20
(Group C)(AWG)	26-14/(2)26-(2)16
(Group C)(V)	600
(Group C)(A)	15/20
(Group D)(AWG)	26-14/(2)26-(2)16
(Group D)(V)	600
(Group D)(A)	5

**CUL**

(Group B)(AWG)	26-14/(2)26-(2)16
(Group B)(V)	600
(Group B)(A)	15/20
(Group C)(AWG)	26-14/(2)26-(2)16
(Group C)(V)	600
(Group C)(A)	15/20
(Group D)(AWG)	26-14/(2)26-(2)16
(Group D)(V)	600
(Group D)(A)	5

**VDE**

(mm <sup>2</sup> )	0.2~1.5
(V)	800
(A)	17.5

