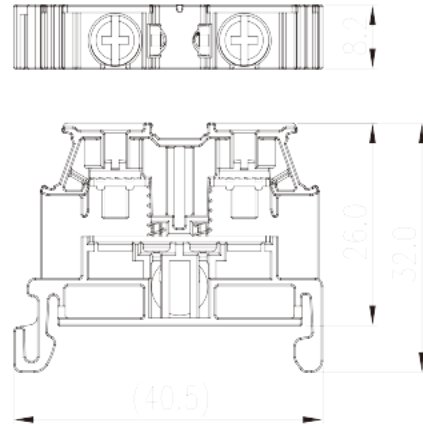
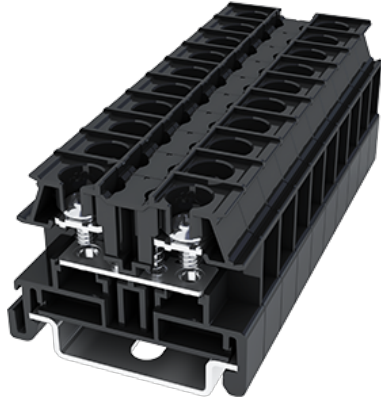


# DKU20

NEMA

>

:2026-05-17



M3.5, 600V, 20/30A

	Feed-Through single level, Screw Connection
	Feed-Through single level
(mm)	8.2
	Refer to drawing
	Screw Connection
	Rail mounting
(mm)	40.5
(mm)	8.2
(mm)	33.5 ( TS-35N ) /41 ( TS-35/15N )
	01P
( )	01P
	1
	2
	PC
	a
UL 94	V2



	1000M at DC 500V
	COPPER ALLOY
	Tin PLATED

**-IEC**

(V)	800
(A)	24
(III/3)(V)	630
(III/3)(KV)	8
(mm <sup>2</sup> )	0.2
(mm <sup>2</sup> )	2.5
(mm <sup>2</sup> )	0.2
(mm <sup>2</sup> )	2.5
	M3.5
Philips	PH2
(N.m)	1~1.3
(N.m)	1
(N.m)	1.3
	The stripping length depends on the specification provided by the cablelug manufacturer.
	TS-35N、TS-35/15N
	YES
	NO

**-UL**

(UL/CUL Group B)(V)	600
(UL/CUL Group B)(A)	20
(UL/CUL Group C)(V)	600
(UL/CUL Group C)(A)	20
(UL/CUL Group D)(V)	600
(UL/CUL Group D)(A)	20
UL/CUL AWG	26
UL/CUL AWG	12
UL/CUL AWG	26
UL/CUL AWG	12

&amp;

(YES or NO)	YES
가 (YES or NO)	YES
	125
	-40

UL

(Group B)(AWG)	26-12/(2)26-(2)14
(Group B)(V)	600
(Group B)(A)	20/30
(Group C)(AWG)	26-12/(2)26-(2)14
(Group C)(V)	600
(Group C)(A)	20/30
(Group D)(AWG)	26-12/(2)26-(2)14
(Group D)(V)	600
(Group D)(A)	5

CUL

(Group B)(AWG)	26-12/(2)26-(2)14
(Group B)(V)	600
(Group B)(A)	20/30
(Group C)(AWG)	26-12/(2)26-(2)14
(Group C)(V)	600
(Group C)(A)	20/30
(Group D)(AWG)	26-12/(2)26-(2)14
(Group D)(V)	600
(Group D)(A)	5

VDE

(mm <sup>2</sup> )	0.2~2.5
(V)	800
(A)	24

