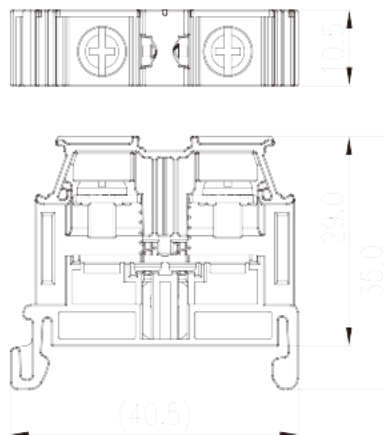
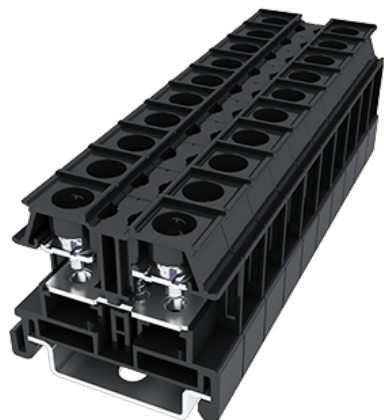


DKU30

NEMA

>

:2026-05-17



M4, 600V, 30/40A

	Feed-Through single level, Screw Connection
	Feed-Through single level
(mm)	10.5
	Refer to drawing
	Screw Connection
	Rail mounting
(mm)	40.5
(mm)	10.5
(mm)	33.5 (TS-35N) /41 (TS-35/15N)
	01P
()	01P
	1
	2
	PC
	a
UL 94	V2

	1000M at DC 500V
	COPPER ALLOY
	Tin PLATED

-IEC

(V)	630
(A)	32
(III/3)(V)	630
(III/3)(KV)	8
(mm ²)	0.2
(mm ²)	4
(mm ²)	0.2
(mm ²)	4
	M4
Philips	PH2
(N.m)	1.2~2
(N.m)	1.2
(N.m)	2
	The stripping length depends on the specification provided by the cablelug manufacturer.
	TS-35N、TS-35/15N
	YES
	NO

-UL

(UL/CUL Group B)(V)	600
(UL/CUL Group B)(A)	30
(UL/CUL Group C)(V)	600
(UL/CUL Group C)(A)	30
(UL/CUL Group D)(V)	600
(UL/CUL Group D)(A)	30
UL/CUL AWG	26
UL/CUL AWG	10
UL/CUL AWG	26
UL/CUL AWG	10



&

(YES or NO)	YES
가 (YES or NO)	NO
	125
	-40

UL

(Group B)(AWG)	26-10/(2)20-(2)12
(Group B)(V)	600
(Group B)(A)	30/40
(Group C)(AWG)	26-10/(2)20-(2)12
(Group C)(V)	600
(Group C)(A)	30/40
(Group D)(AWG)	26-10/(2)20-(2)12
(Group D)(V)	600
(Group D)(A)	5

CUL

(Group B)(AWG)	26-10/(2)20-(2)12
(Group B)(V)	600
(Group B)(A)	30/40
(Group C)(AWG)	26-10/(2)20-(2)12
(Group C)(V)	600
(Group C)(A)	30/40
(Group D)(AWG)	26-10/(2)20-(2)12
(Group D)(V)	600
(Group D)(A)	5

VDE

(mm ²)	0.2~4
(V)	630
(A)	32

