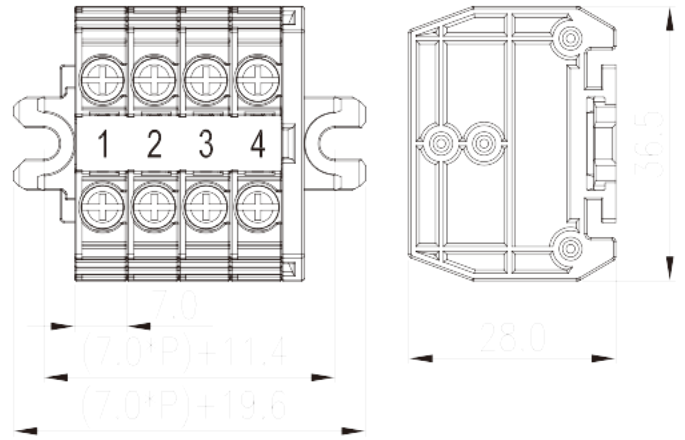
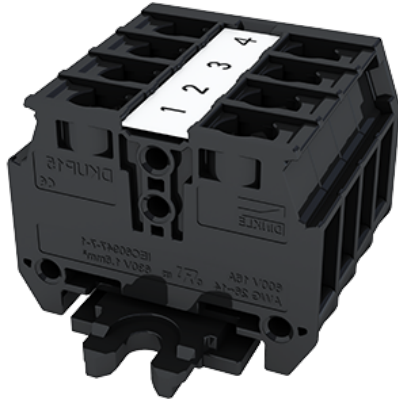


DKUP15-XXPK

NEMA

>

:2026-07-04



M3, 600V, 15/20A

	Panel Mounting, Screw Connection
	Panel Mounting
(mm)	7
	Refer to drawing
	Screw Connection
	Panel Mounting
(mm)	$7.00 * P + 19.6$
(mm)	36.5
(mm)	28
	01P~20P
()	01P~20P
	1
	2~40
	PC
	a
UL 94	V2



	1000M at DC 500V
	COPPER ALLOY
	Tin PLATED

-IEC

(V)	800
(A)	17.5
(III/3)(V)	800
(III/3)(KV)	8
(mm ²)	0.2
(mm ²)	1.5
(mm ²)	0.2
(mm ²)	1.5
	M3
Philips	PH2
(N.m)	0.6~1
(N.m)	0.6
(N.m)	1
	The stripping length depends on the specification provided by the cablelug manufacturer.
	TS-35N、TS-35/15N
	YES
	NO

-UL

(UL/CUL Group B)(V)	600
(UL/CUL Group B)(A)	15
(UL/CUL Group C)(V)	600
(UL/CUL Group C)(A)	15
(UL/CUL Group D)(V)	600
(UL/CUL Group D)(A)	15
UL/CUL AWG	26
UL/CUL AWG	14
UL/CUL AWG	26
UL/CUL AWG	14



&

(YES or NO)	YES
가 (YES or NO)	YES
	125
	-40

UL

(Group B)(AWG)	26-14/(2)26-(2)16
(Group B)(V)	600
(Group B)(A)	15/20
(Group C)(AWG)	26-14/(2)26-(2)16
(Group C)(V)	600
(Group C)(A)	15/20
(Group D)(AWG)	26-14/(2)26-(2)16
(Group D)(V)	600
(Group D)(A)	5

CUL

(Group B)(AWG)	26-14/(2)26-(2)16
(Group B)(V)	600
(Group B)(A)	15/20
(Group C)(AWG)	26-14/(2)26-(2)16
(Group C)(V)	600
(Group C)(A)	15/20
(Group D)(AWG)	26-14/(2)26-(2)16
(Group D)(V)	600
(Group D)(A)	5

VDE

(mm ²)	0.2~1.5
(V)	800
(A)	17.5

