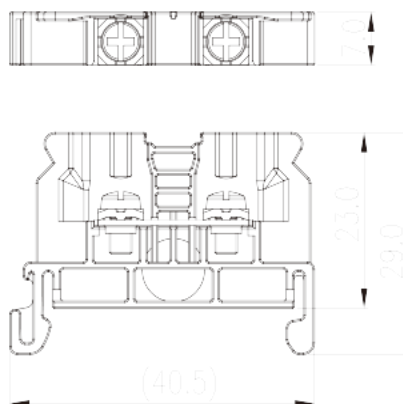
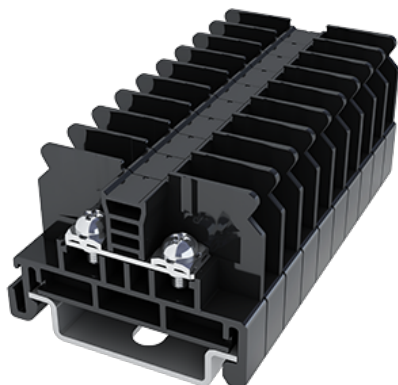


# DKB15N

NEMA

>

:2026-07-04



M3, 600V, 15/20A

	DIN Rail terminal blocks, Screw connection
	Rail mounting terminal blocks
	Black (default)
	Screw connection
	Rail mounting
(mm)	40.5
(mm)	7
(mm)	30.5 ( TS-35N ) /38 ( TS-35/15N )
	Single level
	2
	PC
	IIIa
UL 94	V2
	1000M at DC 500V
	Copper Alloy
	Tin PLATED

**-IEC**

(V)	630
(A)	17.5
(III/3)(V)	630
(III/3)(KV)	8
(mm <sup>2</sup> )	0.2
(mm <sup>2</sup> )	1.5
(mm <sup>2</sup> )	0.2
(mm <sup>2</sup> )	1.5
	M3
Philips	PH2
(N.m)	0.6~1
(N.m)	0.6
(N.m)	1
	The stripping length depends on the specification provided by the cablelug manufacturer.
	TS-35N、TS-35/15N
	YES
	NO

**-UL**

(UL/CUL Group B)(V)	600
(UL/CUL Group B)(A)	8
(UL/CUL Group C)(V)	600
(UL/CUL Group C)(A)	15
(UL/CUL Group D)(V)	600
(UL/CUL Group D)(A)	15
UL/CUL                      AWG	26
UL/CUL                      AWG	14
UL/CUL                      AWG	26
UL/CUL                      AWG	14

**&**

(YES or NO)	YES
가 (YES or NO)	NO



	125
	-40

### UL

(Group B)(AWG)	26-14/(2)26-(2)16
(Group B)(V)	600
(Group B)(A)	15/20
(Group C)(AWG)	26-14/(2)26-(2)16
(Group C)(V)	600
(Group C)(A)	15/20
(Group D)(AWG)	26-14/(2)26-(2)16
(Group D)(V)	600
(Group D)(A)	5

### CUL

(Group B)(AWG)	26-14/(2)26-(2)16
(Group B)(V)	600
(Group B)(A)	15/20
(Group C)(AWG)	26-14/(2)26-(2)16
(Group C)(V)	600
(Group C)(A)	15/20
(Group D)(AWG)	26-14/(2)26-(2)16
(Group D)(V)	600
(Group D)(A)	5

--	--

