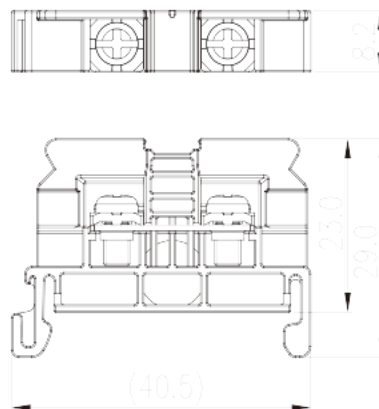
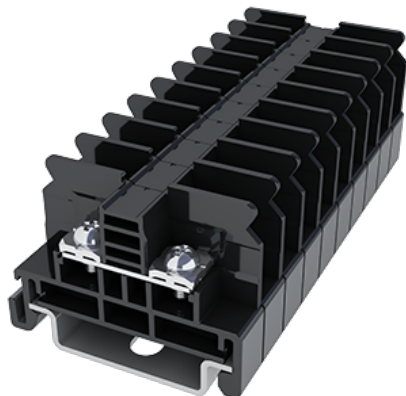


# DKB20N

NEMA

>

:2026-07-04



M3.5, 600V, 20/30A

	DIN Rail terminal blocks, Screw connection
	Rail mounting terminal blocks
	Black (default)
	Screw connection
	Rail mounting
(mm)	40.5
(mm)	8.2
(mm)	29
	Single level
	2
	PC
	IIIa
UL 94	V2
	1000M at DC 500V
	Copper Alloy
	Tin PLATED

**-IEC**

(V)		630
(A)		24
(III/3)(V)		630
(II/2)(KV)		8
(III/2)(KV)		8
(III/3)(KV)		8
(mm <sup>2</sup> )		0.2
(mm <sup>2</sup> )		2.5
(mm <sup>2</sup> )		0.2
(mm <sup>2</sup> )		2.5
2	(mm <sup>2</sup> )	2.5
2	(mm <sup>2</sup> )	2.5
		M3.5
Philips		PH2
(N.m)		0.8~1
(N.m)		0.8
(N.m)		1
		9~10 The stripping length depends on the specification provided by the cable lug manufacturer.
		TS-35N、TS-35/15N
		YES
		NO

**-UL**

(UL/CUL Group B)(V)		600
(UL/CUL Group B)(A)		20
(UL/CUL Group C)(V)		600
(UL/CUL Group C)(A)		20
(UL/CUL Group D)(V)		600
(UL/CUL Group D)(A)		20
UL/CUL	AWG	26
UL/CUL	AWG	12
UL/CUL	AWG	26
UL/CUL	AWG	12



&

(YES or NO)	YES
가 (YES or NO)	NO
	125
	-40

UL

(Group B)(AWG)	26-12/(2)26-(2)14
(Group B)(V)	600
(Group B)(A)	20/30
(Group C)(AWG)	26-12/(2)26-(2)14
(Group C)(V)	600
(Group C)(A)	20/30
(Group D)(AWG)	26-12/(2)26-(2)14
(Group D)(V)	600
(Group D)(A)	5

CUL

(Group B)(AWG)	26-12/(2)26-(2)14
(Group B)(V)	600
(Group B)(A)	20/30
(Group C)(AWG)	26-12/(2)26-(2)14
(Group C)(V)	600
(Group C)(A)	20/30
(Group D)(AWG)	26-12/(2)26-(2)14
(Group D)(V)	600
(Group D)(A)	5

--	--

