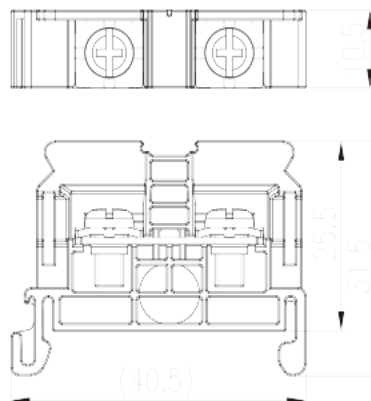
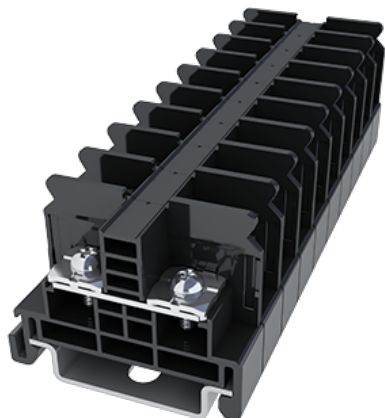


# DKB30N

NEMA

>

:2026-07-04



M4, 600V, 30/40A

	DIN Rail terminal blocks, Screw connection
	Rail mounting terminal blocks
	Black (default)
	Screw connection
	Rail mounting
(mm)	40.5
(mm)	10.5
(mm)	31.5
	Single level
	2
	PC
	IIIa
UL 94	V2
	1000M at DC 500V
	Copper Alloy
	Tin PLATED

**-IEC**

(V)		630
(A)		32
(III/3)(V)		630
(II/2)(KV)		8
(III/2)(KV)		8
(III/3)(KV)		8
(mm <sup>2</sup> )		0.34
(mm <sup>2</sup> )		4
(mm <sup>2</sup> )		0.34
(mm <sup>2</sup> )		4
2	(mm <sup>2</sup> )	4
2	(mm <sup>2</sup> )	4
		M4
Philips		PH2
(N.m)		1.2~1.5
(N.m)		1.2
(N.m)		1.5
		The stripping length depends on the specification provided by the cablelug manufacturer.
		TS-35N、TS-35/15N
		YES
		NO

**-UL**

(UL/CUL Group B)(V)		600
(UL/CUL Group B)(A)		30
(UL/CUL Group C)(V)		600
(UL/CUL Group C)(A)		30
UL/CUL	AWG	22
UL/CUL	AWG	10
UL/CUL	AWG	22
UL/CUL	AWG	10

&amp;



(YES or NO)	YES
가 (YES or NO)	NO
	125
	-40

UL

(Group B)(AWG)	22-10/(2)22-(2)12
(Group B)(V)	600
(Group B)(A)	30/40
(Group C)(AWG)	22-10/(2)22-(2)12
(Group C)(V)	600
(Group C)(A)	30/40
(Group D)(AWG)	22-10/(2)22-(2)12
(Group D)(V)	600
(Group D)(A)	5

CUL

(Group B)(AWG)	22-10/(2)22-(2)12
(Group B)(V)	600
(Group B)(A)	30/40
(Group C)(AWG)	22-10/(2)22-(2)12
(Group C)(V)	600
(Group C)(A)	30/40
(Group D)(AWG)	22-10/(2)22-(2)12
(Group D)(V)	600
(Group D)(A)	5

--	--

