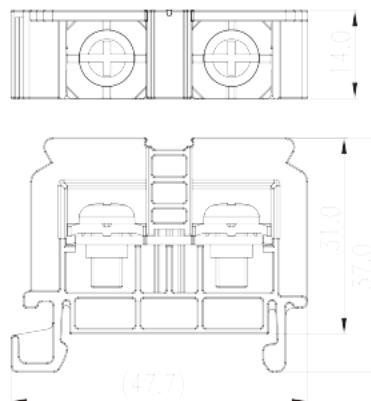
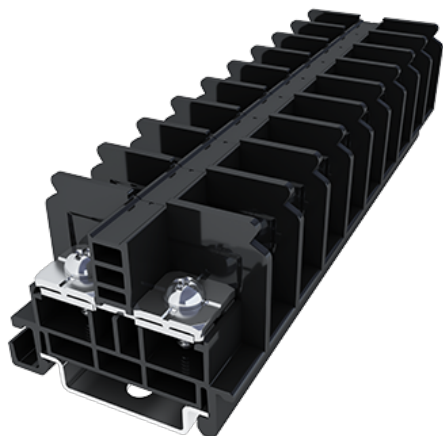


DKB60N

NEMA

>

:2026-07-04



M5, 600V, 60/90A

| | |
|-------|--|
| | DIN Rail terminal blocks, Screw connection |
| | Rail mounting terminal blocks |
| | Black (default) |
| | Screw connection |
| | Rail mounting |
| (mm) | 47.7 |
| (mm) | 14 |
| (mm) | 37 |
| | Single level |
| | 2 |
| | PC |
| | IIIa |
| UL 94 | V2 |
| | 1000M at DC 500V |
| | Copper Alloy |
| | Tin PLATED |

-IEC

| | | |
|--------------------|--------------------|--|
| (V) | | 630 |
| (A) | | 57/76 (with Fork Terminal) |
| (III/3)(V) | | 630 |
| (II/2)(KV) | | 8 |
| (III/2)(KV) | | 8 |
| (III/3)(KV) | | 8 |
| (mm ²) | | 0.5 |
| (mm ²) | | 10 |
| (mm ²) | | 0.5 |
| (mm ²) | | 10 |
| 2 | (mm ²) | 10 |
| 2 | (mm ²) | 10 |
| | | M5 |
| Philips | | PH2 |
| (N.m) | | 2.0~2.4 |
| (N.m) | | 2 |
| (N.m) | | 2.4 |
| | | The stripping length depends on the specification provided by the cablelug manufacturer. |
| | | TS-35N、TS-35/15N |
| | | YES |
| | | NO |

-UL

| | | |
|---------------------|-----|----------------------------|
| (UL/CUL Group B)(V) | | 600 |
| (UL/CUL Group B)(A) | | 50/60 (with Fork Terminal) |
| (UL/CUL Group C)(V) | | 600 |
| (UL/CUL Group C)(A) | | 50/60 (with Fork Terminal) |
| (UL/CUL Group D)(V) | | 600 |
| (UL/CUL Group D)(A) | | 0/60 (with Fork Terminal) |
| UL/CUL | AWG | 20 |
| UL/CUL | AWG | 6 |
| UL/CUL | AWG | 20 |
| UL/CUL | AWG | 6 |



&

| | |
|---------------|-----|
| (YES or NO) | YES |
| 가 (YES or NO) | NO |
| | 125 |
| | -40 |

UL

| | |
|----------------|-----------------|
| (Group B)(AWG) | 20-6/(2)20-(2)8 |
| (Group B)(V) | 600 |
| (Group B)(A) | 60/90 |
| (Group C)(AWG) | 20-6/(2)20-(2)8 |
| (Group C)(V) | 600 |
| (Group C)(A) | 60/90 |
| (Group D)(AWG) | 20-6/(2)20-(2)8 |
| (Group D)(V) | 600 |
| (Group D)(A) | 5 |

CUL

| | |
|----------------|-----------------|
| (Group B)(AWG) | 20-6/(2)20-(2)8 |
| (Group B)(V) | 600 |
| (Group B)(A) | 60/90 |
| (Group C)(AWG) | 20-6/(2)20-(2)8 |
| (Group C)(V) | 600 |
| (Group C)(A) | 60/90 |
| (Group D)(AWG) | 20-6/(2)20-(2)8 |
| (Group D)(V) | 600 |
| (Group D)(A) | 5 |

| | |
|--|--|
| | |
|--|--|

