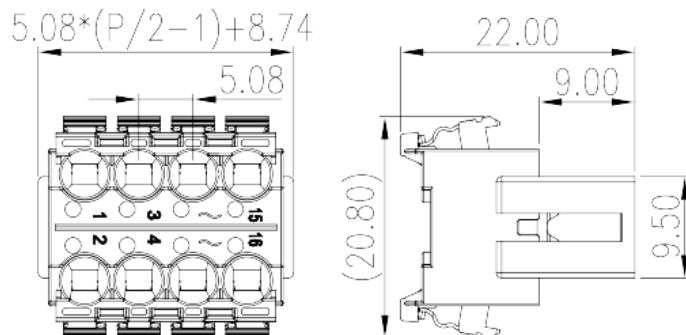


# 0229-A9XXY

PCB > PCB -

:2026-07-05



Pitch : 5.08 mm, 300V, 12A

	Pluggable terminal block, Push-in Design
	Pluggable terminal block – Socket
(mm)	5.08
	Black (default)
	Push-in Design
	Without
(mm)	$5.08 * (P/2 - 1) + 8.74$
(mm)	20.8
(mm)	22
( )	04P~16P
	2
	PA
UL 94	V0
	500M at DC 500V
	COPPER ALLOY



Tin PLATED

**-IEC**

(V)	320
(A)	14
(II/2)(V)	320
(III/2)(V)	160
(III/3)(V)	160
(II/2)(KV)	2.5
(III/2)(KV)	2.5
(III/3)(KV)	2.5
(mm <sup>2</sup> )	0.2
(mm <sup>2</sup> )	1.5
(mm <sup>2</sup> )	0.2
(mm <sup>2</sup> )	1.5
(mm <sup>2</sup> ) , ,	0.25
(mm <sup>2</sup> ) , ,	1.5
(mm <sup>2</sup> ) , ,	0.25
(mm <sup>2</sup> ) , ,	1.5
Width)(mm) (Blade thickness x	0.6x3.5
	8~9

**-UL**

(UL/CUL Group B)(V)	300
(UL/CUL Group B)(A)	12
(UL/CUL Group D)(V)	300
(UL/CUL Group D)(A)	10
UL/CUL AWG	28
UL/CUL AWG	14
UL/CUL AWG	28
UL/CUL AWG	14

**&**

(YES or NO)	YES
가 (YES or NO)	YES
	120
	-40

## UL

(Group B)(AWG)	28~14
(Group B)(V)	300
(Group B)(A)	12
(Group D)(AWG)	28~14
(Group D)(V)	300
(Group D)(A)	10

## CUL

(Group B)(AWG)	28~14
(Group B)(V)	300
(Group B)(A)	12
(Group D)(AWG)	28~14
(Group D)(V)	300
(Group D)(A)	10

