

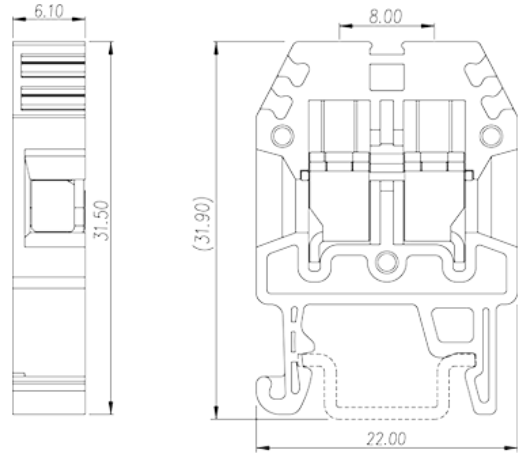
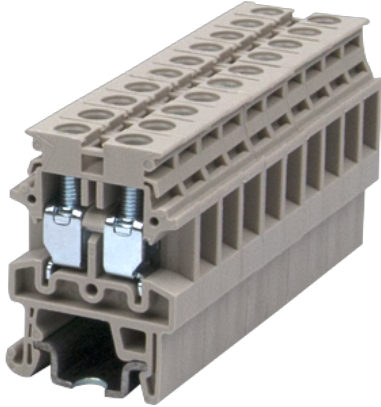
DK4S

DIN

>

:2026-05-14

:1.2



M3, 300V, 30A, Beige (default)

	DIN rail terminal blocks, Feed through terminal blocks
	Feed through terminal blocks
	Beige (default)
	Screw connection
	Rail mounting
(mm)	22
(mm)	6.1
(mm)	31.5
()	1P
	Single level
	2
	PA
	I
UL 94	V0
	500M at DC 500V

-IEC

(V)	500
(A)	32
(III/3)(V)	500
(II/2)(KV)	4
(III/2)(KV)	4
(III/3)(KV)	4
(mm ²)	0.34
(mm ²)	4
(mm ²)	0.34
(mm ²)	4
(mm ²) , ,	0.34
(mm ²) , ,	4
(mm ²) , ,	0.34
(mm ²) , ,	2.5
2 (mm ²)	0.34
2 (mm ²)	2.5
2 (mm ²)	0.34
2 (mm ²)	2.5
(mm ²) 2 , ,	0.5
(mm ²) 2 , ,	1.5
2 (mm ²) , ,	0.5
2 (mm ²) , ,	2.5
	M3
Width)(mm) (Blade thickness x	0.6x3.5
Philips	PH1
(N.m)	0.6
	7~9
	TS-15
	YES

		NO
-UL		
(UL/CUL Group B)(V)		300
(UL/CUL Group B)(A)		30
(UL/CUL Group C)(V)		300
(UL/CUL Group C)(A)		30
(UL/CUL Group D)(V)		300
(UL/CUL Group D)(A)		10
UL/CUL	AWG	22
UL/CUL	AWG	10
UL/CUL	AWG	22
UL/CUL	AWG	10

&

	(YES or NO)	YES
가	(YES or NO)	YES
		120
		-40

UL

(Group B)(AWG)		22~10
(Group B)(V)		300
(Group B)(A)		30
(Group C)(AWG)		22~10
(Group C)(V)		300
(Group C)(A)		30
(Group D)(AWG)		22~10
(Group D)(V)		300
(Group D)(A)		10

CUL

(Group B)(AWG)		22~10
(Group B)(V)		300
(Group B)(A)		30

(Group C) (AWG)	22~10
(Group C) (V)	300
(Group C) (A)	30
(Group D) (AWG)	22~10
(Group D) (V)	300
(Group D) (A)	10

VDE

(mm ²)	0.34~4
(V)	500
(A)	32

