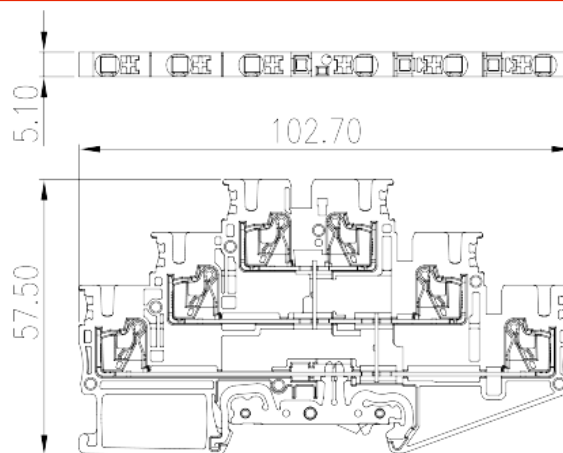
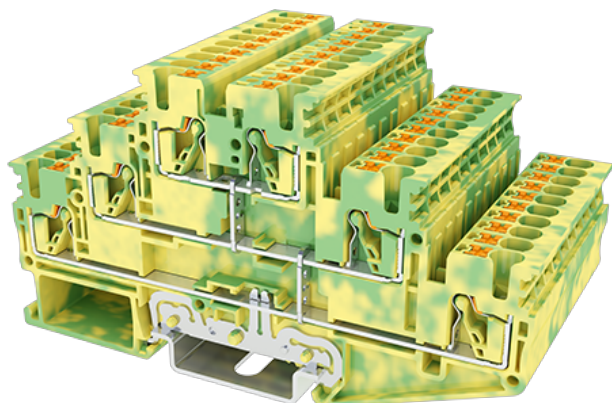


DP2.5N-3L-PE

DIN

>

:2026-07-04



300V, Green-Yellow (default)

	Grounding Terminal Block, Push-in Design
	Grounding Terminal Blocks
	Green-Yellow (default)
	Push-in design
	Rail Mounting
(mm)	102.7
(mm)	5.1
(mm)	57.5
()	1P
	Three level
	6
	PA
	I
UL 94	V0
	500M at DC 500V

-IEC

(V)	500
(III/3)(V)	500
(III/3)(KV)	6
(mm ²)	0.14
(mm ²)	4
(mm ²)	0.14
(mm ²)	2.5
(mm ²) , ,	0.25
(mm ²) , ,	4
(mm ²) , ,	0.25
(mm ²) , ,	4
² (mm ²) , ,	0.5
² (mm ²) , ,	0.5
Width)(mm) (Blade thickness x	0.6x3.5
	10
	TS-35
	YES
	YES

-UL

(UL/CUL Group B)(V)	300
(UL/CUL Group C)(V)	300
UL/CUL AWG	26
UL/CUL AWG	12
UL/CUL AWG	26
UL/CUL AWG	12

&

(YES or NO)	YES
가 (YES or NO)	YES

	120
	-40

UL

(Group B)(AWG)	26~12
(Group B)(V)	300
(Group C)(AWG)	26~12
(Group C)(V)	300

CUL

(Group B)(AWG)	26~12
(Group B)(V)	300
(Group C)(AWG)	26~12
(Group C)(V)	300

