

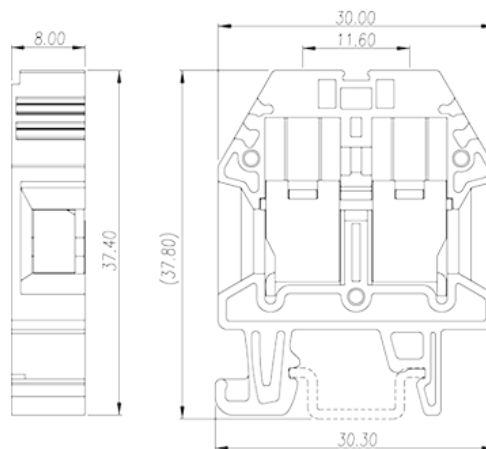
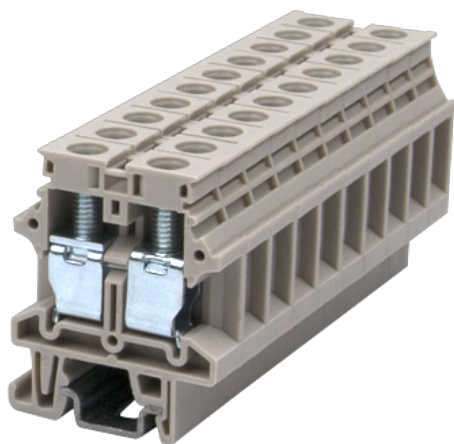
# DK6S

DIN

>

:2026-07-04

:1.2



M4, 300V, 50A, Beige (default)

	DIN rail terminal blocks, Feed through terminal blocks
	Feed through terminal blocks
	Beige (default)
	Screw connection
	Rail mounting
(mm)	30.3
(mm)	8
(mm)	37.4
( )	1P
	Single level
	2
	PA
	I
UL 94	V0
	500M at DC 500V

## -IEC

(V)		500
(A)		41
(III/3)(V)		500
(II/2)(KV)		4
(III/2)(KV)		4
(III/3)(KV)		4
(mm <sup>2</sup> )		0.5
(mm <sup>2</sup> )		6
(mm <sup>2</sup> )		0.5
(mm <sup>2</sup> )		6
(mm <sup>2</sup> )	,	0.5
(mm <sup>2</sup> )	,	6
(mm <sup>2</sup> )	,	0.5
(mm <sup>2</sup> )	,	6
2	(mm <sup>2</sup> )	0.5
2	(mm <sup>2</sup> )	4
2	(mm <sup>2</sup> )	0.5
2	(mm <sup>2</sup> )	4
(mm <sup>2</sup> ) 2	,	0.5
(mm <sup>2</sup> ) 2	,	4
2	(mm <sup>2</sup> )	0.5
2	(mm <sup>2</sup> )	4
		M4
Width)(mm)	(Blade thickness x	1.0x5.5
Philips		PH2
(N.m)		1.2
		9~11
		TS-15
		YES



	NO
--	----

**-UL**

(UL/CUL Group B)(V)	300
(UL/CUL Group B)(A)	50
(UL/CUL Group C)(V)	300
(UL/CUL Group C)(A)	50
(UL/CUL Group D)(V)	300
(UL/CUL Group D)(A)	10
UL/CUL AWG	20
UL/CUL AWG	8
UL/CUL AWG	20
UL/CUL AWG	8

**&**

(YES or NO)	YES
가 (YES or NO)	YES
	120
	-40

**UL**

(Group B)(AWG)	20~8
(Group B)(V)	300
(Group B)(A)	50
(Group C)(AWG)	20~8
(Group C)(V)	300
(Group C)(A)	50
(Group D)(AWG)	20~8
(Group D)(V)	300
(Group D)(A)	10

**CUL**

(Group B)(AWG)	20~8
(Group B)(V)	300
(Group B)(A)	50

(Group C) (AWG)	20~8
(Group C) (V)	300
(Group C) (A)	50
(Group D) (AWG)	20~8
(Group D) (V)	300
(Group D) (A)	10

VDE

(mm <sup>2</sup> )	0.5~6
(V)	500
(A)	41

