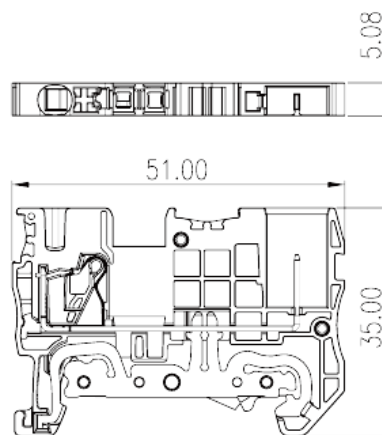
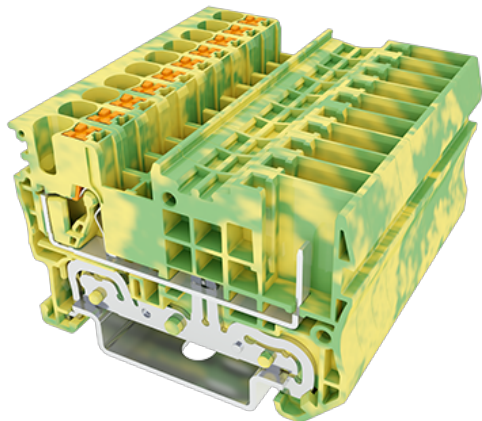


DPES2.5-PE

DIN

>

:2026-05-14



600V, Green-Yellow (default)

	Grounding Terminal Block, Push-in Design
	Grounding Terminal Block
(mm)	5.08
	Green-Yellow (default)
	Push-in Design
	Rail Mounting
(mm)	51
(mm)	5.08
(mm)	35
()	1P
	Single level
	1
	PA
	I
UL 94	V0
	500M at DC 500V

-IEC

(V)	800
(III/3)(V)	800
(III/3)(KV)	6
(mm ²)	0.2
(mm ²)	4
(mm ²)	0.2
(mm ²)	2.5
(mm ²) , ,	0.25
(mm ²) , ,	2.5
(mm ²) , ,	0.25
(mm ²) , ,	2.5
² (mm ²) , ,	0.5
² (mm ²) , ,	0.5
Width)(mm) (Blade thickness x	0.6x3.5
	9~10
	TS-35
	YES
	YES

-UL

(UL/CUL Group B)(V)	600
(UL/CUL Group C)(V)	600
UL/CUL AWG	26
UL/CUL AWG	12
UL/CUL AWG	26
UL/CUL AWG	12

&

(YES or NO)	YES
가 (YES or NO)	YES

	120
	-40

UL

(Group B)(AWG)	26~12
(Group B)(V)	600
(Group C)(AWG)	26~12
(Group C)(V)	600

CUL

(Group B)(AWG)	26~12
(Group B)(V)	600
(Group C)(AWG)	26~12
(Group C)(V)	600

