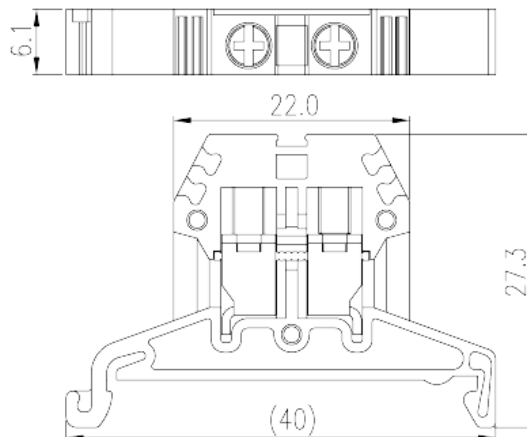


DK4P

DIN

>

:2026-07-04



M3, 300V, 30A, Beige (default)

	Single Level Feed-through Terminal Block
	Single Level Feed-through Terminal Block
	Beige (default)
	Screw Connection
	Rail mounting
(mm)	40
(mm)	6.1
(mm)	27.3
()	1P
	Single level
	2
	PA
	I
UL 94	V0
	500M at DC 500V
	Tin PLATED

-IEC

(V)	500
(A)	32
(III/3)(V)	500
(II/2)(KV)	6
(III/2)(KV)	6
(III/3)(KV)	6
(mm ²)	0.34
(mm ²)	4
(mm ²)	0.34
(mm ²)	4
(mm ²) , ,	0.34
(mm ²) , ,	4
(mm ²) , ,	0.34
(mm ²) , ,	2.5
2 (mm ²)	0.34
2 (mm ²)	2.5
2 (mm ²)	0.34
2 (mm ²)	1.5
(mm ²) 2 , ,	0.5
(mm ²) 2 , ,	1
2 (mm ²) , ,	0.5
2 (mm ²) , ,	2.5
	M3
Width)(mm) (Blade thickness x	0.6x3.5
Philips	PH0
(N.m)	0.5
(N.m)	0.6
	9~11
	TS-35N/TS-35/15N



	YES
	NO

-UL

(UL/CUL Group B)(V)		300
(UL/CUL Group B)(A)		30
(UL/CUL Group C)(V)		300
(UL/CUL Group C)(A)		30
(UL/CUL Group D)(V)		300
(UL/CUL Group D)(A)		5
UL/CUL	AWG	22
UL/CUL	AWG	10
UL/CUL	AWG	22
UL/CUL	AWG	10

&

(YES or NO)		YES
가 (YES or NO)		YES
		120
		-40

UL

(Group B)(AWG)		22~10
(Group B)(V)		300
(Group B)(A)		30
(Group C)(AWG)		22~10
(Group C)(V)		300
(Group C)(A)		30

CUL

(Group B)(AWG)		22~10
(Group B)(V)		300
(Group B)(A)		30
(Group C)(AWG)		22~10
(Group C)(V)		300

(Group C)(A)

30

VDE

(mm ²)	0.34~4
(V)	500
(A)	32

(mm ²)	0.34~4
(V)	500
(A)	32

