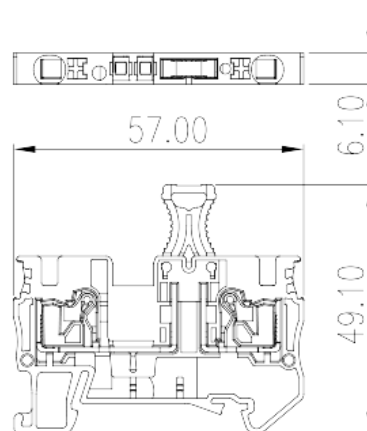
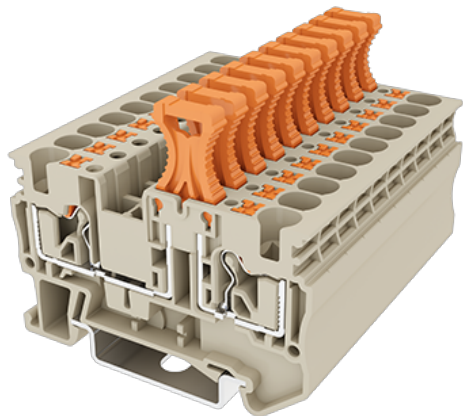


# DP4N-TP

DIN

>

:2026-05-14



300V, 20A, Beige (default)

|       |   |
|-------|---|
|       | Disconnect Terminal Block, Push-in Design |
|       | Disconnect Terminal Block                 |
|       | Beige (default)                           |
|       | Push-in Design                            |
|       | Rail Mounting                             |
| (mm)  | 57  |
| (mm)  | 6.1                                       |
| (mm)  | 49.1                                      |
| ( )   | 1P  |
|       | Single level                              |
|       | 2   |
|       | PA  |
|       | I   |
| UL 94 | V0  |
|       | 500M at DC 500V                           |

**-IEC**

|                                     |       |
|-------------------------------------|-------|
| (V)                                 | 500   |
| (A)                                 | 20    |
| (III/3)(V)                          | 500   |
| (III/3)(KV)                         | 6     |
| (mm <sup>2</sup> )                  | 0.2   |
| (mm <sup>2</sup> )                  | 6     |
| (mm <sup>2</sup> )                  | 0.2   |
| (mm <sup>2</sup> )                  | 4     |
| (mm <sup>2</sup> ) , ,              | 0.25  |
| (mm <sup>2</sup> ) , ,              | 4     |
| (mm <sup>2</sup> ) , ,              | 0.25  |
| (mm <sup>2</sup> ) , ,              | 4     |
| <sup>2</sup> (mm <sup>2</sup> ) , , | 0.5   |
| <sup>2</sup> (mm <sup>2</sup> ) , , | 1     |
| Width)(mm) (Blade thickness x       | 0.8X4 |
|                                     | 12    |
|                                     | TS-35 |
|                                     | YES   |
|                                     | NO    |

**-UL**

|                     |     |
|---------------------|-----|
| (UL/CUL Group B)(V) | 300 |
| (UL/CUL Group B)(A) | 20  |
| (UL/CUL Group C)(V) | 300 |
| (UL/CUL Group C)(A) | 20  |
| UL/CUL AWG          | 24  |
| UL/CUL AWG          | 10  |
| UL/CUL AWG          | 24  |
| UL/CUL AWG          | 10  |

&

|               |     |
|---------------|-----|
| (YES or NO)   | YES |
| 가 (YES or NO) | YES |
|               | 120 |
|               | -40 |

UL

|                |       |
|----------------|-------|
| (Group B)(AWG) | 24~10 |
| (Group B)(V)   | 300   |
| (Group B)(A)   | 20    |
| (Group C)(AWG) | 24~10 |
| (Group C)(V)   | 300   |
| (Group C)(A)   | 20    |

CUL

|                |       |
|----------------|-------|
| (Group B)(AWG) | 24~10 |
| (Group B)(V)   | 300   |
| (Group B)(A)   | 20    |
| (Group C)(AWG) | 24~10 |
| (Group C)(V)   | 300   |
| (Group C)(A)   | 20    |

