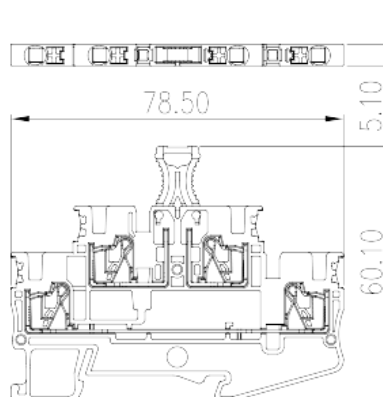
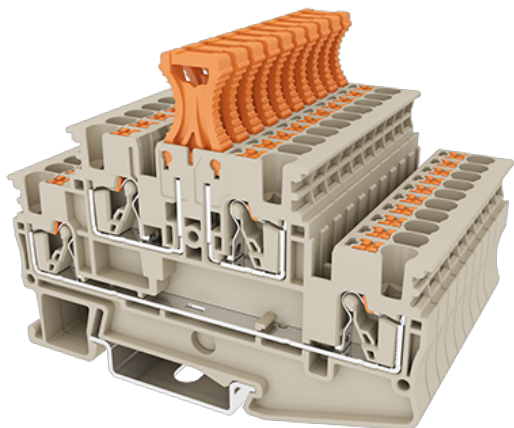


# DPP2.5N-TP

DIN

>

:2026-07-04



300V, Upper : 18A / Lower : 20A, Beige (default)

	Bi-level Disconnect Terminal Block, Push-in Design
	Bi-level Disconnect Terminal Block
	Beige (default)
	Push-in Design
	Rail Mounting
(mm)	78.5
(mm)	5.1
(mm)	60.1
( )	2P
	Double level
	4
	PA
	I
UL 94	V0
	500M at DC 500V

**-IEC**

(V)	400
(A)	20
(III/3)(V)	400
(III/3)(KV)	6
(mm <sup>2</sup> )	0.2
(mm <sup>2</sup> )	4
(mm <sup>2</sup> )	0.2
(mm <sup>2</sup> )	2.5
(mm <sup>2</sup> ) , ,	0.25
(mm <sup>2</sup> ) , ,	2.5
(mm <sup>2</sup> ) , ,	0.25
(mm <sup>2</sup> ) , ,	2.5
<sup>2</sup> (mm <sup>2</sup> ) , ,	0.5
<sup>2</sup> (mm <sup>2</sup> ) , ,	0.5
Width)(mm) (Blade thickness x	0.6x3.5
	10
	TS-35
	YES
	NO

**-UL**

(UL/CUL Group B)(V)	300
(UL/CUL Group B)(A)	Upper : 18A / Lower : 20A
(UL/CUL Group C)(V)	300
(UL/CUL Group C)(A)	Upper : 18A / Lower : 20A
UL/CUL AWG	26
UL/CUL AWG	12
UL/CUL AWG	26
UL/CUL AWG	12

&amp;

(YES or NO)	YES
가 (YES or NO)	YES
	120
	-40

## UL

(Group B) (AWG)	26~12
(Group B) (V)	300
(Group B) (A)	18A (Up) / 20A (Bottom)
(Group C) (AWG)	26~12
(Group C) (V)	300
(Group C) (A)	18A (Up) / 20A (Bottom)

## CUL

(Group B) (AWG)	26~12
(Group B) (V)	300
(Group B) (A)	18A (Up) / 20A (Bottom)
(Group C) (AWG)	26~12
(Group C) (V)	300
(Group C) (A)	18A (Up) / 20A (Bottom)

