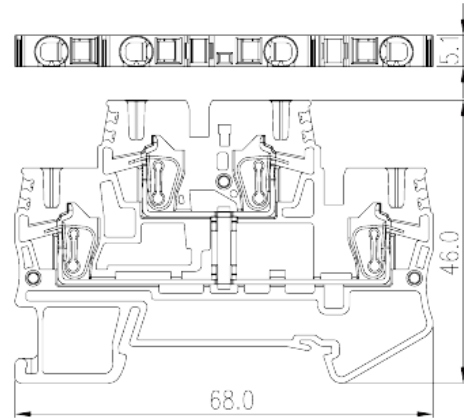
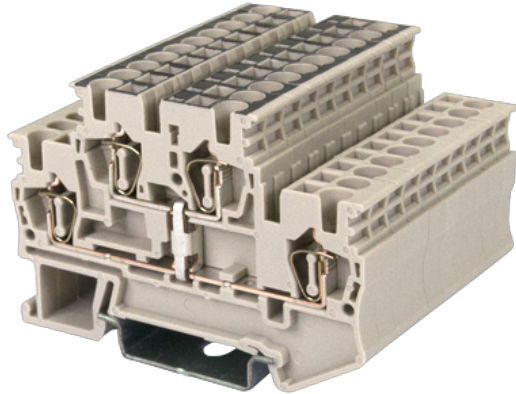


# AKK2.5-PV

DIN

>

:2026-07-04



300V, 20A, Beige (default)

	DIN Rail terminal blocks, Bi level feed through terminal blocks
	Bi level feed through terminal blocks
	Beige (default)
	Spring Clamp Connection
	Rail Mounting
(mm)	68
(mm)	5.1
(mm)	46
	Double level
	4
	I
	V0
UL 94	500M at DC 500V

-IEC



(V)	630
(A)	20
(III/3)(V)	630
(II/2)(KV)	8
(III/2)(KV)	8
(III/3)(KV)	8
(mm <sup>2</sup> )	0.2
(mm <sup>2</sup> )	4
(mm <sup>2</sup> )	0.2
(mm <sup>2</sup> )	2.5
(mm <sup>2</sup> ) , ,	0.25
(mm <sup>2</sup> ) , ,	2.5
(mm <sup>2</sup> ) , ,	0.25
(mm <sup>2</sup> ) , ,	2.5
<sup>2</sup> (mm <sup>2</sup> ) , ,	0.5
<sup>2</sup> (mm <sup>2</sup> ) , ,	0.5
Width)(mm) (Blade thickness x	0.6x3.5
	10
	TS-35
	YES
	NO

**-UL**

(UL/CUL Group B)(V)	300
(UL/CUL Group B)(A)	20
(UL/CUL Group C)(V)	300
(UL/CUL Group C)(A)	20
UL/CUL AWG	30
UL/CUL AWG	12
UL/CUL AWG	30
UL/CUL AWG	12

&

(YES or NO)	YES
가 (YES or NO)	YES
	120
	-40

UL

(Group B)(AWG)	30~12
(Group B)(V)	300
(Group B)(A)	20
(Group C)(AWG)	30~12
(Group C)(V)	300
(Group C)(A)	20

CUL

(Group B)(AWG)	30~12
(Group B)(V)	300
(Group B)(A)	20
(Group C)(AWG)	30~12
(Group C)(V)	300
(Group C)(A)	20

